

# Wall reader (bus) DoorLock-WA3-V2 - MANUAL



ORDER-CODES:

[KXC-WA3-IP1-V2](#), [KXC-WA3-IP2-V2](#)

[DATA SHEET KXC-WA3-IPx-V2](#)

## Overview

Kentix IP wall readers enable contactless control of doors with a MIFARE® DESFire® RFID chip. The setup always consists of the actual wall reader and the connected Kentix [AccessManager](#). The wall reader is connected to the AccessManager via a 4-wire connection. The AccessManager itself connects directly to a Power over Ethernet (PoE) capable network switch. To control electric strikes/motor locks, the SmartRelay offers two relay outputs and, depending on the power class of the

strikes, an integrated PoE splitter with 24VDC output.

For the operation of the wall readers (version: V2), a Kentix AccessManager for cable readers (KXP-2-RS) with a KentixONE software version of 8.2.0 or higher is required. Information about the relay and **circuit diagrams including examples** can be found here: [AccessManager \(Bus\)](#)

## Safety instructions

### Installation

Installation and commissioning may only be carried out by trained specialist personnel in accordance with the instructions.

No modifications of any kind, other than those described in an appropriate manual, are permitted to Kentix GmbH products.

Certain levels of protection must be provided when installing Kentix equipment.

Observe the relevant regulations for installations in the respective environment.

Only operate the products within the defined temperature range.

The instructions should be passed on to the user by the person carrying out the installation.

Kentix accepts no liability for damage to the equipment or components resulting from incorrect installation. No liability is accepted for incorrectly programmed units.

Kentix shall not be liable in the event of malfunctions, damage to property or other damage.

### Use of the products, transport and storage

Protect the device during transport, storage and operation from

Protect moisture, dirt and damage.

### Battery powered products

Do not use products in potentially explosive atmospheres.

Only operate the products within the defined temperature range.

Installation and battery replacement may only be carried out by trained personnel in accordance with the instructions.

Do not charge, short circuit, open or heat batteries.

When inserting the batteries, pay attention to the correct polarity.

The devices must always be operated with the batteries intended for the product.

When changing batteries, always replace all batteries.

Dispose of old or used batteries properly.

Keep batteries out of the reach of children.

### Maintenance

Kentix devices must be checked for functionality as part of annual maintenance.

### Disposal

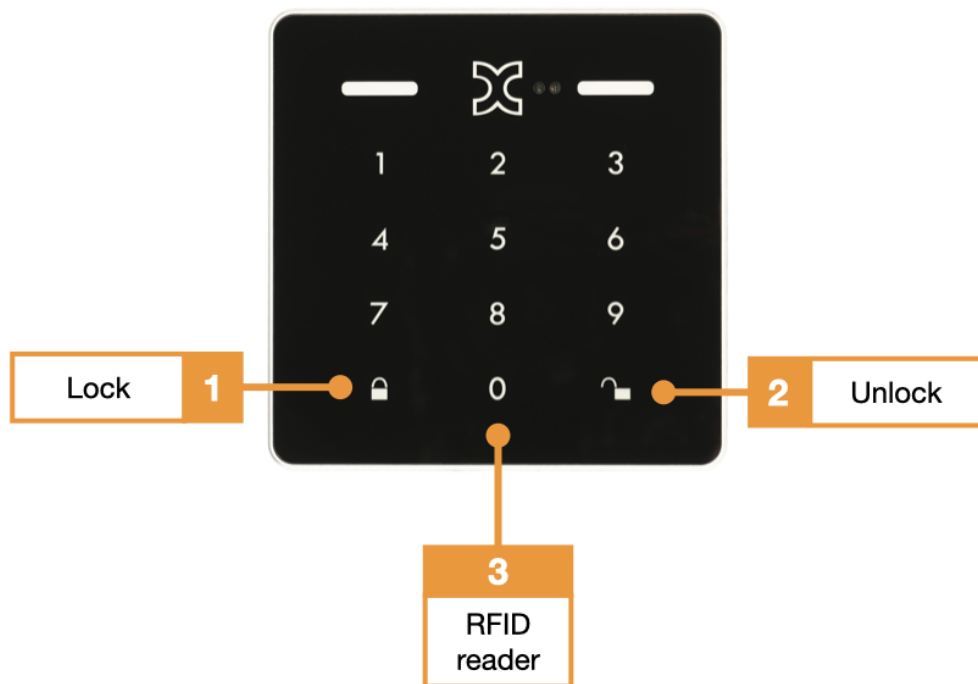
Electrical appliances and batteries must be disposed of separately from household waste.

## System topology

An illustration of the SmartAccess system topology can be found [here](#).

## Controls

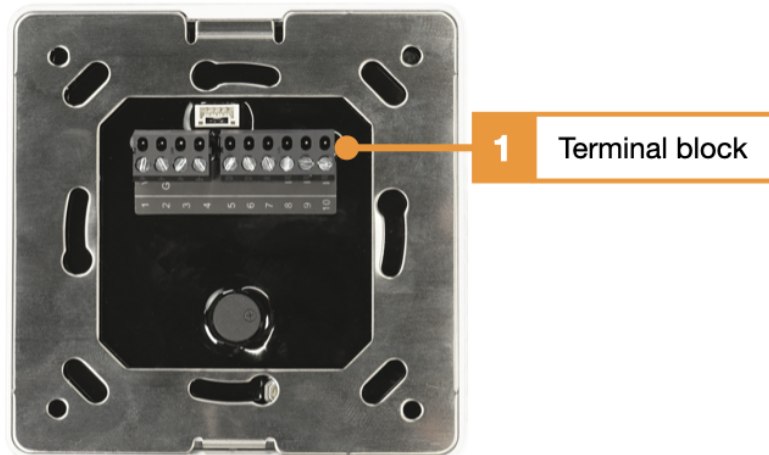
### DoorLock-WA3-V2 Front view



1. Touch keyboard with illuminated keypad and “arm alarm” function key
2. Touch keyboard with illuminated keypad and “disarm alarm” function key
3. Integrated RFID reader, the entire surface serves as a reading surface.

The keypad can be deactivated in the configuration screen of the wall reader (from KentixONE version 8.4.3). This can be useful if an alarm group is only to be armed or disarmed on a specific wall reader using an RFID token.

### DoorLock-WA3-V2 Rear view



1. Connection terminals, assignment see table

### Terminal assignment wall reader WA3-V2

Telecommunication cable type: I-J(ST)Y 2x2x0.8mm<sup>2</sup> is suitable for connection.

Terminal # Reader	Function Reader	Terminal # AccessManager
1	12-30VDC (+)	3 (+)
2	GND (-)	4 (-)
3	RS-485 A	6 (BUS A)
4	RS-485 B	5 (BUS B)
5	-	-
6	-	-
7	-	-

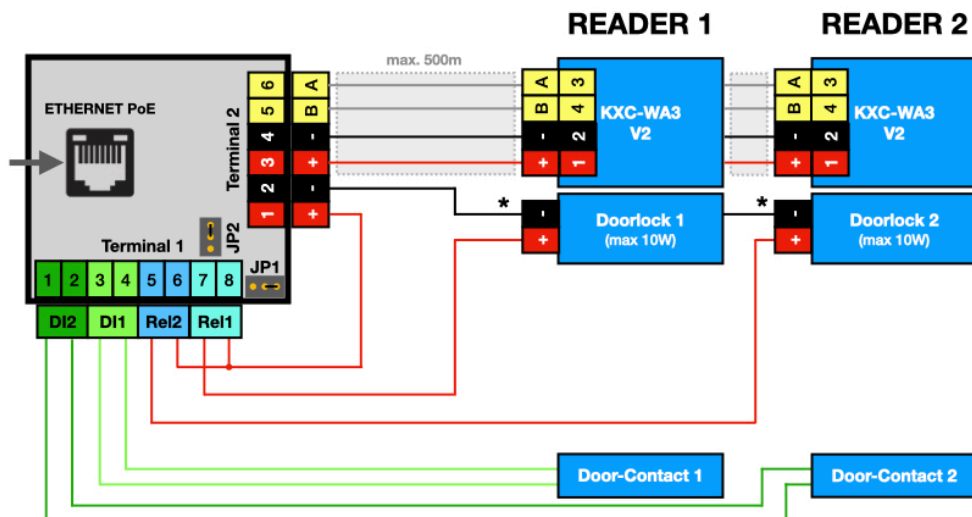
Terminal # Reader	Function Reader	Terminal # AccessManager
8	-	-
9	-	-
10	-	-

KXC-WA3-IPx-V2 Terminal block

**Important!** Wall readers of different versions cannot be operated on one AccessManager. The version identifier (e.g. V2) is coded in the article number.

## Connection example

Two wall readers with door contacts and external door openers



Terminal block 2 on the AccessManager (bus) is used for communication (terminals 5 and 6) and for supplying power (terminals 3 and 4) to the wall readers.

Terminal block 1 on the AccessManager (bus) contains two digital inputs (potential-free) and two relay contacts (changeover contacts). The digital inputs (terminals 1 and 2, terminals 3 and 4) are used to monitor the status of the doors (door contact). The relay contacts (terminals 5 and 6, terminals 7 and 8) can be used to control door openers. A jumper can be used to switch between normally closed and normally open contacts.

### **Commissioning two wall readers on one AccessManager**

If two wall readers are to be operated with one AccessManager, proceed as follows for commissioning:

Connect the first wall reader to the AccessManager. Add it in the main device with "DoorLock (IP)". Only when the first wall reader has been put into operation, they connect the second device and add it as well.

## **User and access management**

The administration of users and access rights is done on the main device of the installation with KentixOne.

All information about the software is available in the [KentixONE](#) section.

## **Signaling**

<b>Function</b>	<b>Signal and explanation</b>
Wall reader is offline	LED flashes magenta
Pine input	LED flashes blue
Access granted	short tone, LED flashes green
Door is opened by time profiles	LED lights up permanently green
Access denied	short tone, LED flashes red
Zone is armed	3 long tones, simultaneously LED flashes 3x red
Arming not possible	long tone, LED flashes red
Zone is armed	Kentix logo flashes white

Table signaling