



ORDER-CODES:

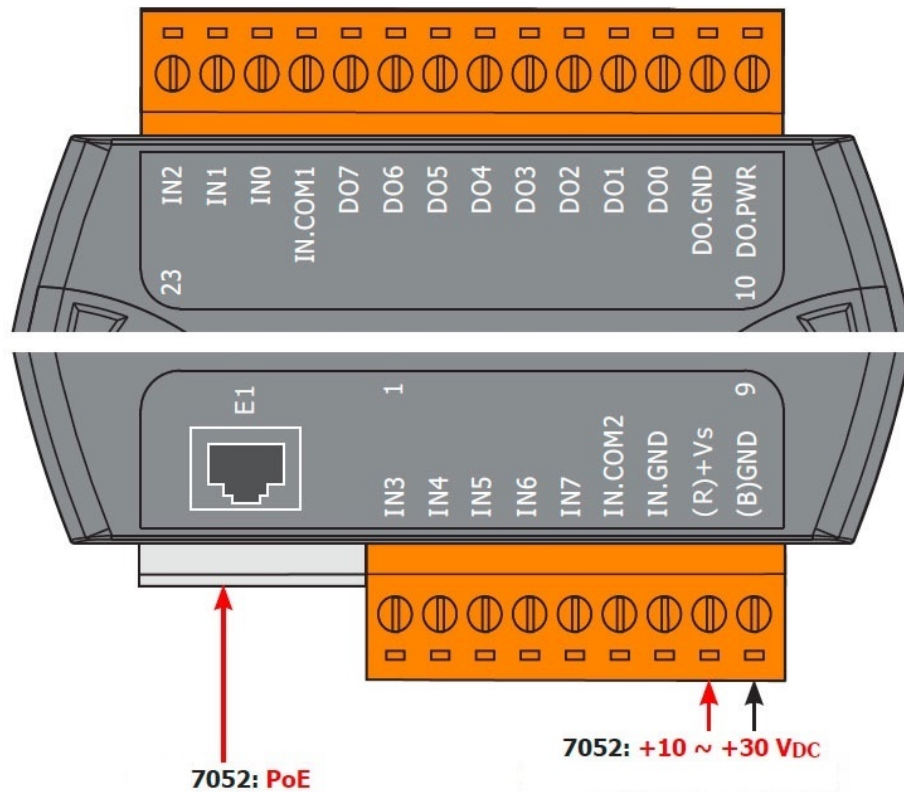
KIO7052

<b>Function</b>	Expansion module for up to 8 external alarm or system messages and 8 switching outputs (open collector). Communication is via Ethernet, so the module can be mounted anywhere. The configuration is done in the KentixONE software interface. The module offers easy IP configuration and testing of the inputs without additional software via the integrated web server.
Connection possibility	AlarmManager or SiteManager
<b>Configuration</b>	Integr. Web server (HTTP) Default IP: 192.168.255.1 (Admin/Admin)
<b>Protocols</b>	Modbus communication via IP port: 502 (default)

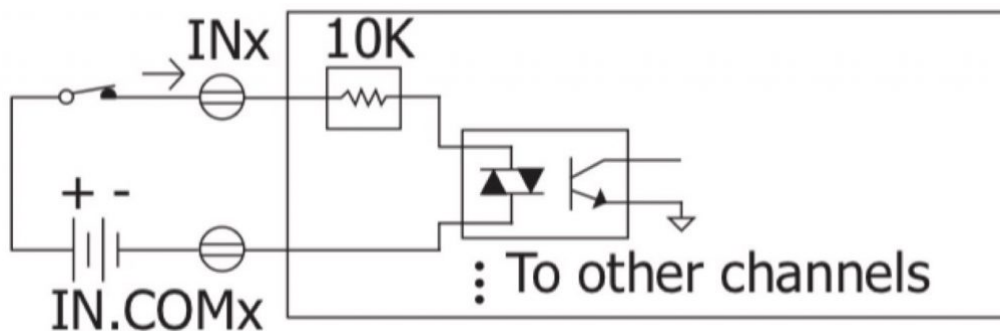
<b>Security</b>	ID, password and IP filter
<b>Connection terminals</b>	Plug-in screw terminals for cables up to 1mm <sup>2</sup>
<b>Enteränge</b>	Digital inputs for voltage switching ON: +10-50VDC, OFF: +4DC Input impedance: 10kOHM, overvoltage protection 70VDC
<b>Outputänge</b>	Open collector outputs 10-40VDC Load capacity 650mA (up to 1.1A overcurrent protection) Overvoltage protection 47VDC
<b>Alarm output assignmentänge</b>	DO1-DO8: Assignment via KentixONE interface
<b>Insulation</b>	Ethernet 1.5kVDC, I/O 3.7kVrms
<b>Environment</b>	Operating temperature 0°C to +45°C, Rel. Humidity 10-90%
<b>Network</b>	LAN 10/100 Base-TX
<b>Power supply</b>	External power supply 12-30VDC, 4.5Watt
Housing	72 x 123 x 35 mm (DIN rail mounting)
<b>Scope of delivery</b>	KIO7052, 3m patch cable, power connection cable, manual
<b>Approval</b>	CE

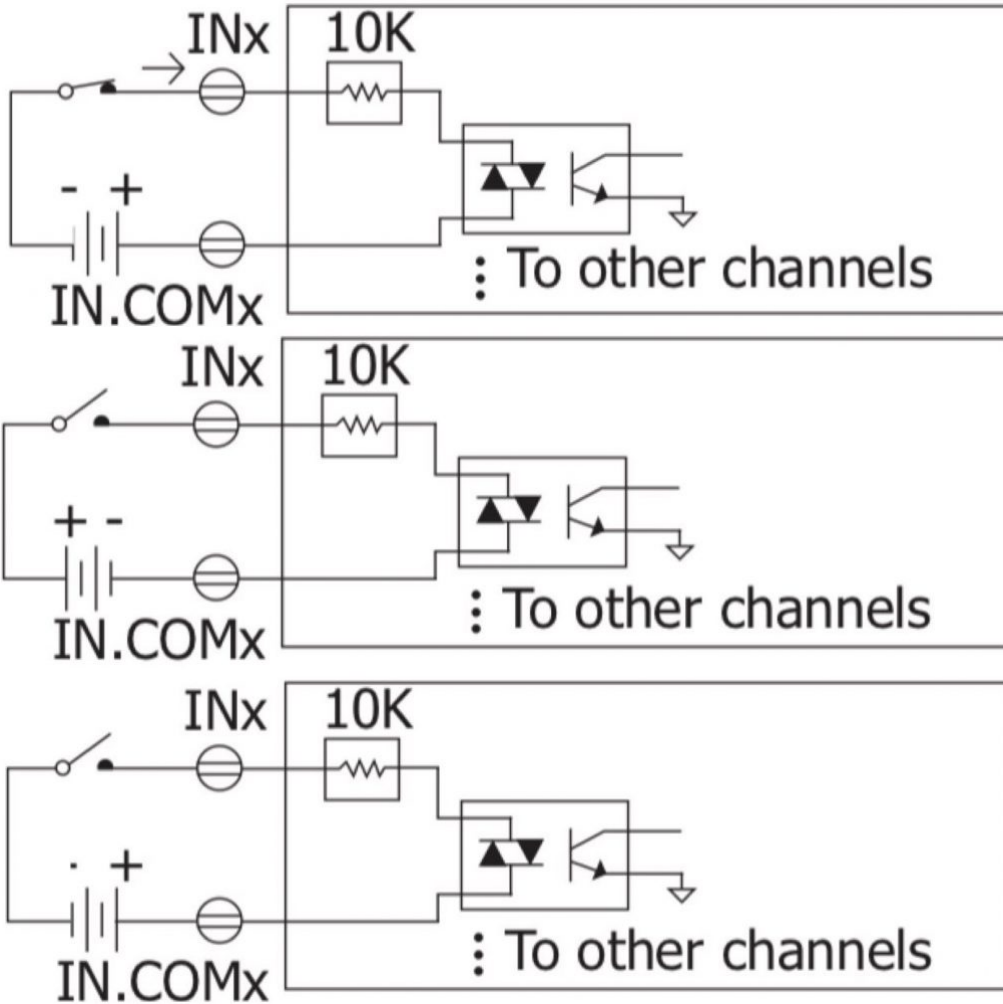
This module requires an external voltage for input switching. Potential-free contacts must be connected with an external voltage (external power supply with 12-24VDC).

## Terminal assignment



## Wiring inputs





### Wiring outputs

