

Wall reader (bus) DoorLock-WA6 - MANUAL



ORDER-CODES:

[KXC-WA6-IP1](#), [KXC-WA6-IP2](#)

[DATASHEET KXC-WA6-IPx](#)

Overview

Kentix IP wall readers enable contactless control of doors with a MIFARE® DESFire® RFID chip. All electronics are located on a compact unit. Due to its compact design, the reader is particularly suitable for use with narrow metal profiles. The setup always consists of the actual wall reader and the connected Kentix [AccessManager](#). The wall reader is connected to the AccessManager via a 4-wire connection. The AccessManager itself connects directly to a Power over Ethernet (PoE) capable network switch. To control electric strikes/motor locks, the SmartRelay offers two relay outputs and, depending on the power class of the strikes, an integrated PoE splitter with 24VDC output.

A Kentix AccessManager for Cable Reader (KXP-2-RS) is required to operate the frame reader. Information about the relay and **circuit diagrams including examples** can be found here: [AccessManager \(Bus\)](#)

Safety instructions

Installation

Installation and commissioning may only be carried out by trained specialist personnel in accordance with the instructions.

No modifications of any kind, other than those described in an appropriate manual, are permitted to Kentix GmbH products.

Certain levels of protection must be provided when installing Kentix equipment.

Observe the relevant regulations for installations in the respective environment.

Only operate the products within the defined temperature range.

The instructions should be passed on to the user by the person carrying out the installation.

Kentix accepts no liability for damage to the equipment or components resulting from incorrect installation. No liability is accepted for incorrectly programmed units.

Kentix shall not be liable in the event of malfunctions, damage to property or other damage.

Use of the products, transport and storage

Protect the device during transport, storage and operation from

Protect moisture, dirt and damage.

Battery powered products

Do not use products in potentially explosive atmospheres.

Only operate the products within the defined temperature range.

Installation and battery replacement may only be carried out by trained personnel in accordance with the instructions.

Do not charge, short circuit, open or heat batteries.

When inserting the batteries, pay attention to the correct polarity.

The devices must always be operated with the batteries intended for the product.

When changing batteries, always replace all batteries.

Dispose of old or used batteries properly.

Keep batteries out of the reach of children.

Maintenance

Kentix devices must be checked for functionality as part of annual maintenance.

Disposal

Electrical appliances and batteries must be disposed of separately from household waste.

Controls

KXC-WA6-IP Front panel



WA6-IP Front view

DIP switch rear side



WA6-IP DIP switch

DIP switch	Function
1	Address 1(1=ON, 2=OFF)
2	Address 2(1=OFF, 2=ON)
3	-

4	-
5	Baud rate(ON)
6	Terminating resistor

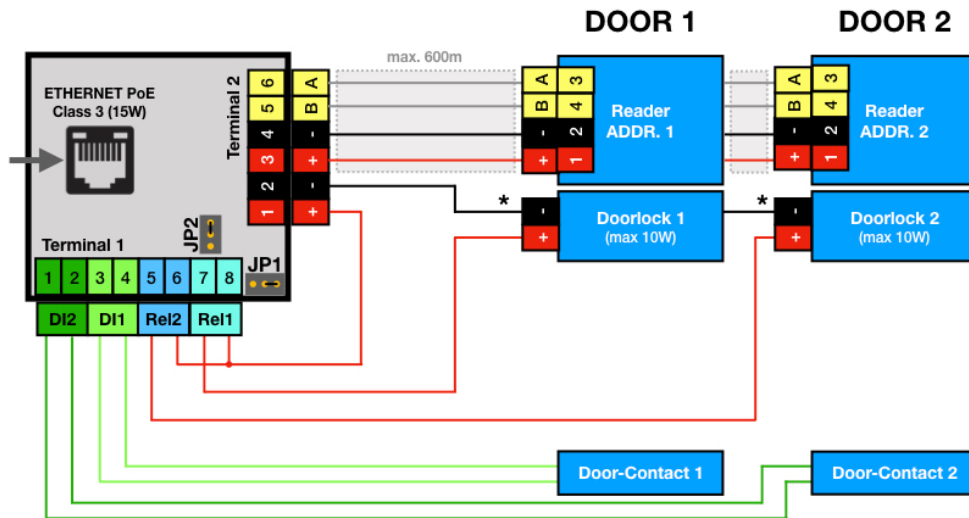
WA6-IP Table DIP switches

Terminal assignment

Clamp	Function
1	10-30V/DC, max. 3,5VA
2	GND
3	RS485 Data "A"
4	RS485 Data

WA6-IP Terminal assignment

Wiring



WA6-IP circuitry

User and access management

The administration of users and access rights is done on the main device of the installation with KentixOne.

All information about the software is available in the [KentixONE](#) section.

Signaling

Function	Signal and explanation
Wall reader is offline	LED flashes magenta
Access granted	short tone, LED flashes green
Access denied	short tone, LED flashes red
Zone is armed	3 long tones, simultaneously LED flashes 3x red

Zone is armed	LED flashes red regularly
Arming not possible	long tone, LED flashes red

Table signaling