



ORDER-CODES:

[KXC-RA4-VERTIV-1](#)

[DATASHEET KXC-RA4](#)

Overview

The DoorLock-RA4-VERTIV-1 is an adapter for the DoorLock-RA4 locking solution for Vertiv IT racks of the DCM, MIR IP54 and MIR2 series.

Safety instructions

Installation

Installation and commissioning may only be carried out by trained specialist personnel in accordance with the instructions.

No modifications of any kind, other than those described in an appropriate manual, are permitted to Kentix GmbH products.

Certain levels of protection must be provided when installing Kentix equipment.
Observe the relevant regulations for installations in the respective environment.
Only operate the products within the defined temperature range.
The instructions should be passed on to the user by the person carrying out the installation.
Kentix accepts no liability for damage to the equipment or components resulting from incorrect installation. No liability is accepted for incorrectly programmed units.
Kentix shall not be liable in the event of malfunctions, damage to property or other damage.

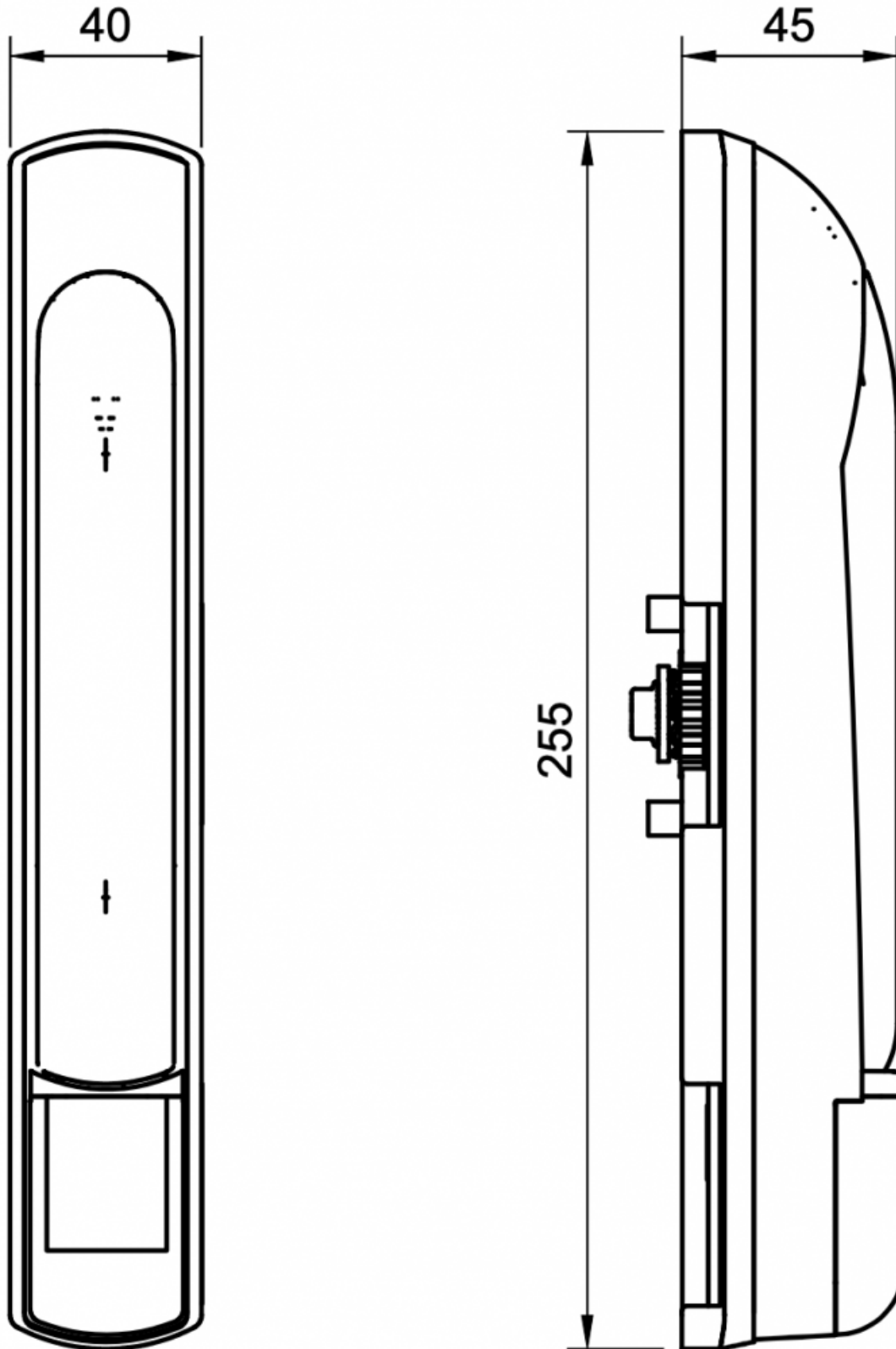
Use of the products, transport and storage
Protect the device during transport, storage and operation from
Protect moisture, dirt and damage.

Battery powered products
Do not use products in potentially explosive atmospheres.
Only operate the products within the defined temperature range.
Installation and battery replacement may only be carried out by trained personnel in accordance with the instructions.
Do not charge, short circuit, open or heat batteries.
When inserting the batteries, pay attention to the correct polarity.
The devices must always be operated with the batteries intended for the product.
When changing batteries, always replace all batteries.
Dispose of old or used batteries properly.
Keep batteries out of the reach of children.

Maintenance
Kentix devices must be checked for functionality as part of annual maintenance.

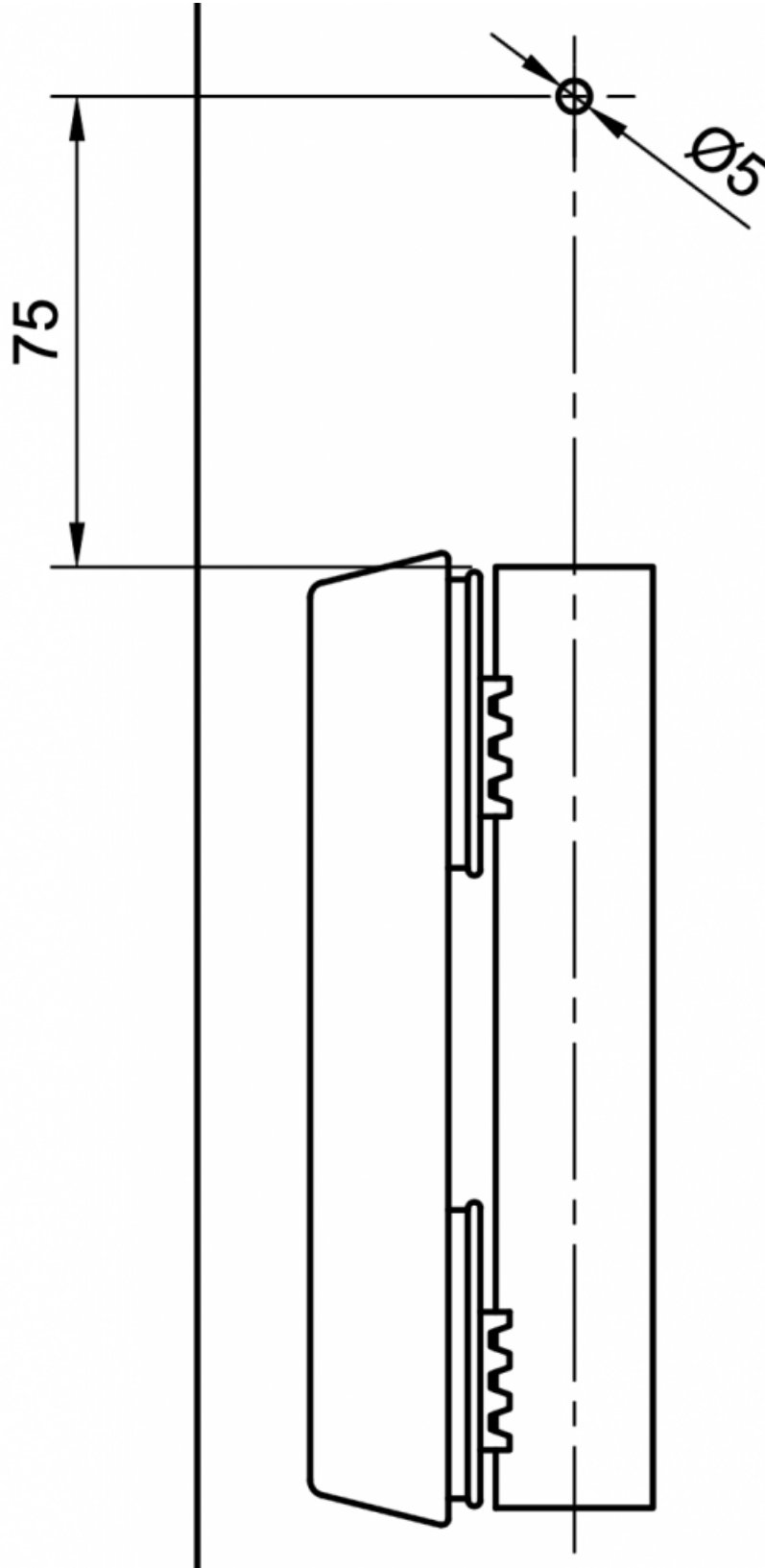
Disposal
Electrical appliances and batteries must be disposed of separately from household waste.

Dimensions



Installation

Hole pattern KXC-RA4-VERTIV-1



The above hole pattern is required to install the DoorLock-RA4. a 5 mm hole must be drilled in the door. This is required for the upper fixing point of the DoorLock-RA4.

Assembly steps



1. Drill hole for upper fixing point
2. Screw adapter to DoorLock-RA4
3. Fastening the gear wheel on the square mandrel
4. Remove the covers from the old rack handle
5. Insert the covers into the adapter
6. Attach DoorLock with adapter to the door
7. Connecting the connection cable to the DoorLock
8. Fasten the DoorLock with the screws supplied

Tools required

1. Metal drill bit with 5 mm diameter
2. Phillips screwdriver
3. Torx® screwdriver with drive size 20