

DoorLock-RA4-RITTAL-VX - MANUAL



ORDER-CODES:
[KXC-RA4-RITTAL-VX](#)

[DATASHEET KXC-RA4](#)

Overview

The DoorLock-RA4-RITTAL-VX is an adapter for the DoorLock-RA4 locking solution for Rittal IT racks of the VX series. The adapter is only supplied in conjunction with a DoorLock-RA4-IPx-L, as the two components are screwed together at the factory.

Safety instructions

Installation

Installation and commissioning may only be carried out by trained specialist personnel in accordance with the instructions.

No modifications of any kind, other than those described in an appropriate manual, are permitted to Kentix GmbH products.

Certain levels of protection must be provided when installing Kentix equipment.

Observe the relevant regulations for installations in the respective environment.

Only operate the products within the defined temperature range.

The instructions should be passed on to the user by the person carrying out the installation.

Kentix accepts no liability for damage to the equipment or components resulting from incorrect installation. No liability is accepted for incorrectly programmed units.

Kentix shall not be liable in the event of malfunctions, damage to property or other damage.

Use of the products, transport and storage

Protect the device during transport, storage and operation from

Protect moisture, dirt and damage.

Battery powered products

Do not use products in potentially explosive atmospheres.

Only operate the products within the defined temperature range.

Installation and battery replacement may only be carried out by trained personnel in accordance with the instructions.

Do not charge, short circuit, open or heat batteries.

When inserting the batteries, pay attention to the correct polarity.

The devices must always be operated with the batteries intended for the product.

When changing batteries, always replace all batteries.

Dispose of old or used batteries properly.

Keep batteries out of the reach of children.

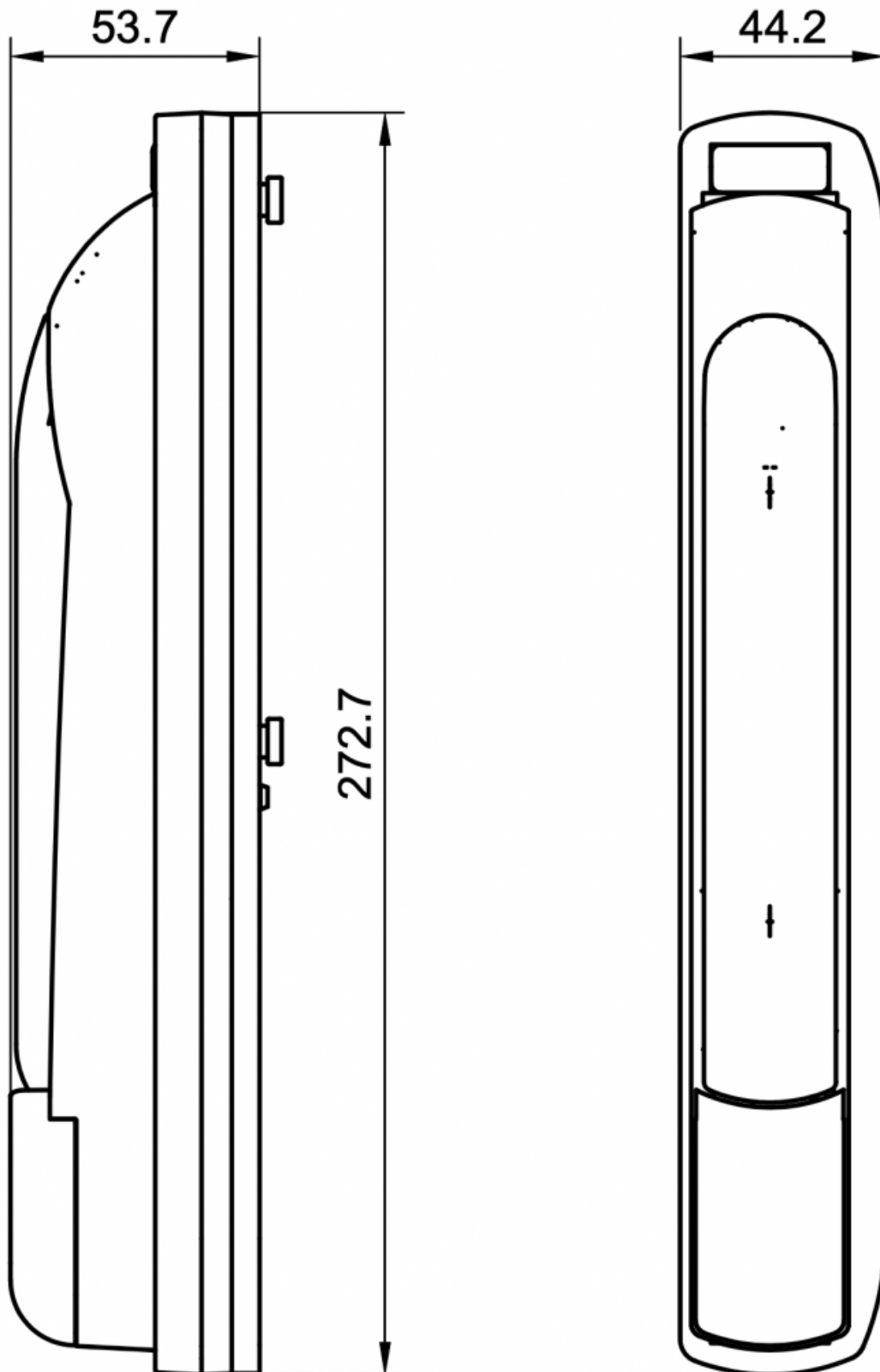
Maintenance

Kentix devices must be checked for functionality as part of annual maintenance.

Disposal

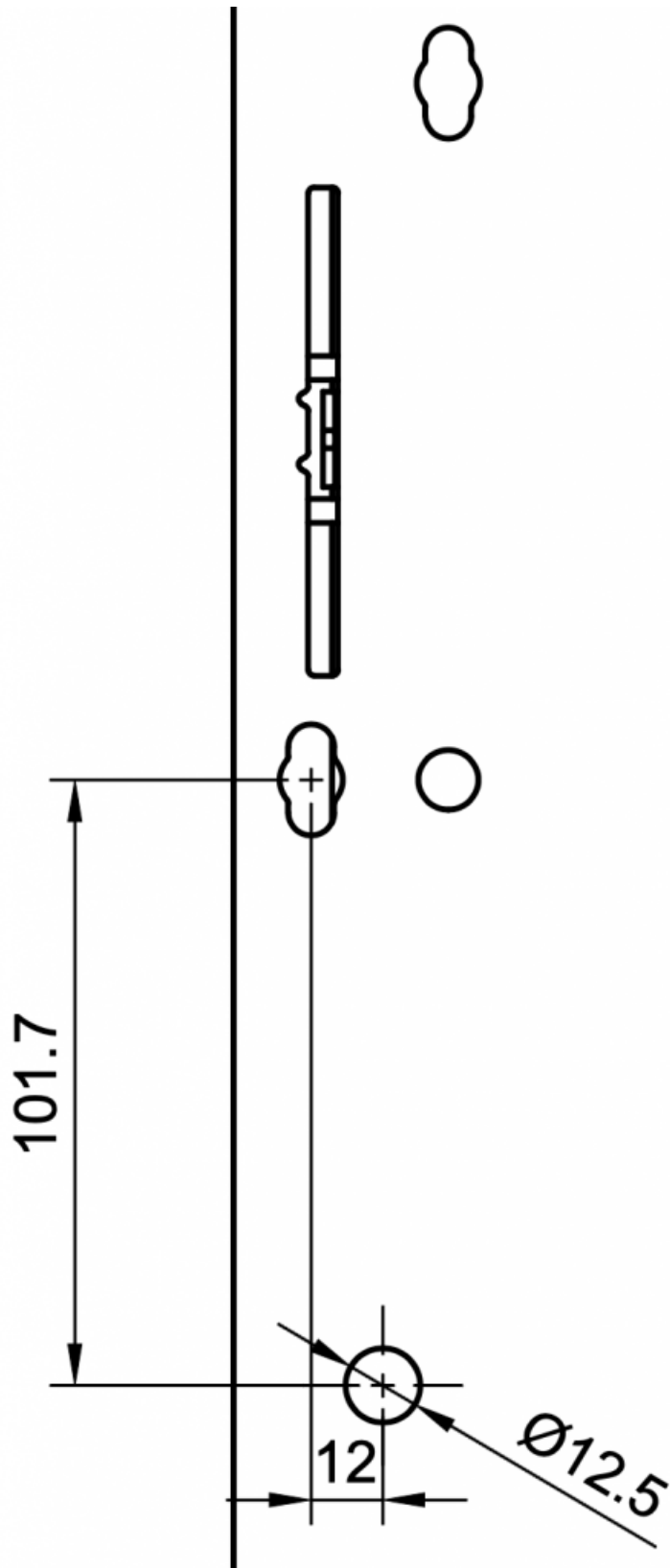
Electrical appliances and batteries must be disposed of separately from household waste.

Dimensions



Installation

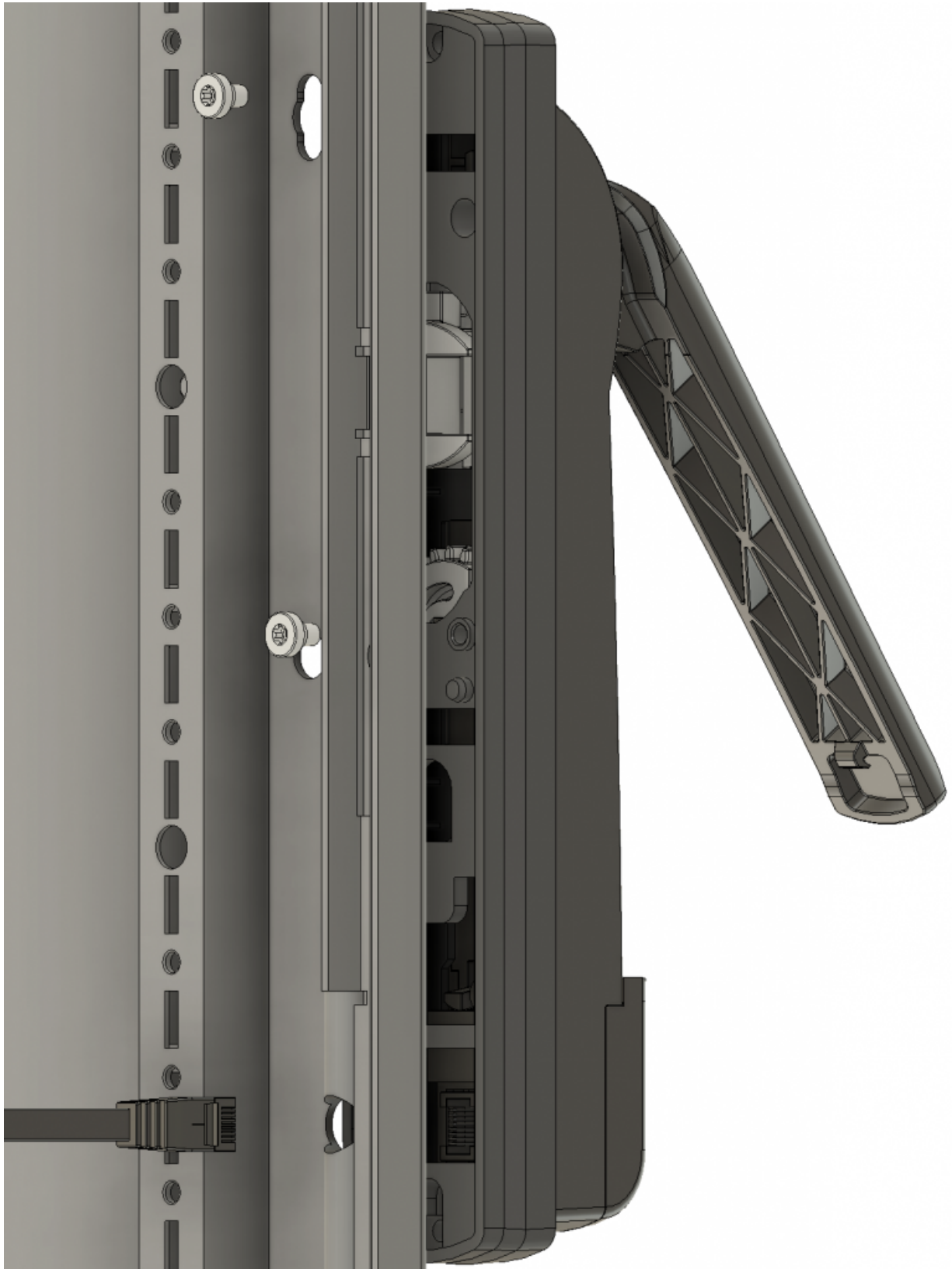
Adapter KXC-RA4-RITTAL-VX



The hole pattern above is required for mounting the DoorLock-RA4 on a door. A hole of at least 12.5 mm must be drilled in the door so that the connection cable can be fed through the door.

The position of the hole can be marked using a drilling template. The template is available on request.

Assembly steps



1. Drill hole for cable entry
2. Feed the connection cable through the hole
3. Connecting the cable to the DoorLock
4. Put the DoorLock on the door
5. Tighten the fastening screws with a screwdriver (tightening torque 1.8 Nm)

First connect the DoorLock with the slimline patch cable before attaching it to the rack. Only install the DoorLock when it is open!

For doors with a design bevel, the existing adapter plate from Rittal must be used to compensate for the bevel.

Tools required

1. Metal drill bit with a diameter of at least 12.5 mm
2. TORX® screwdriver with drive size 25