

DoorLock-RA4-RITTAL-TS8 - MANUAL



ORDER-CODES:

[KXC-RA4-RITTAL-TS8](#), [KXC-RA4-RITTAL-TS8-DSG](#)

[DATASHEET KXC-RA4](#)

Overview

The DoorLock-RA4-RITTAL-TS8 is an adapter for the DoorLock-RA4 locking solution for Rittal IT racks of the TS8 series. The adapter is only supplied in conjunction with a DoorLock-RA4, as the two components are screwed together at the factory.

Safety instructions

Installation

Installation and commissioning may only be carried out by trained specialist personnel in accordance with the instructions.

No modifications of any kind, other than those described in an appropriate manual, are permitted to Kentix GmbH products.

Certain levels of protection must be provided when installing Kentix equipment.

Observe the relevant regulations for installations in the respective environment.

Only operate the products within the defined temperature range.

The instructions should be passed on to the user by the person carrying out the installation.

Kentix accepts no liability for damage to the equipment or components resulting from incorrect installation. No liability is accepted for incorrectly programmed units.

Kentix shall not be liable in the event of malfunctions, damage to property or other damage.

Use of the products, transport and storage

Protect the device during transport, storage and operation from

Protect moisture, dirt and damage.

Battery powered products

Do not use products in potentially explosive atmospheres.

Only operate the products within the defined temperature range.

Installation and battery replacement may only be carried out by trained personnel in accordance with the instructions.

Do not charge, short circuit, open or heat batteries.

When inserting the batteries, pay attention to the correct polarity.

The devices must always be operated with the batteries intended for the product.

When changing batteries, always replace all batteries.

Dispose of old or used batteries properly.

Keep batteries out of the reach of children.

Maintenance

Kentix devices must be checked for functionality as part of annual maintenance.

Disposal

Electrical appliances and batteries must be disposed of separately from household waste.

Variants

With Rittal TS8 enclosures, the door stop determines the required direction of rotation of the DoorLock-RA4 square spindle. The rotary movement of the mandrel is converted into a linear movement by the adapter. A DoorLock with the order number **KXC-RA4-IPx-R** is required for a left-hinged door and a DoorLock with the order number **KXC-RA4-IPx-L** is required for a right-hinged door. The following illustration shows both variants of the door stop.

Left-hinged door

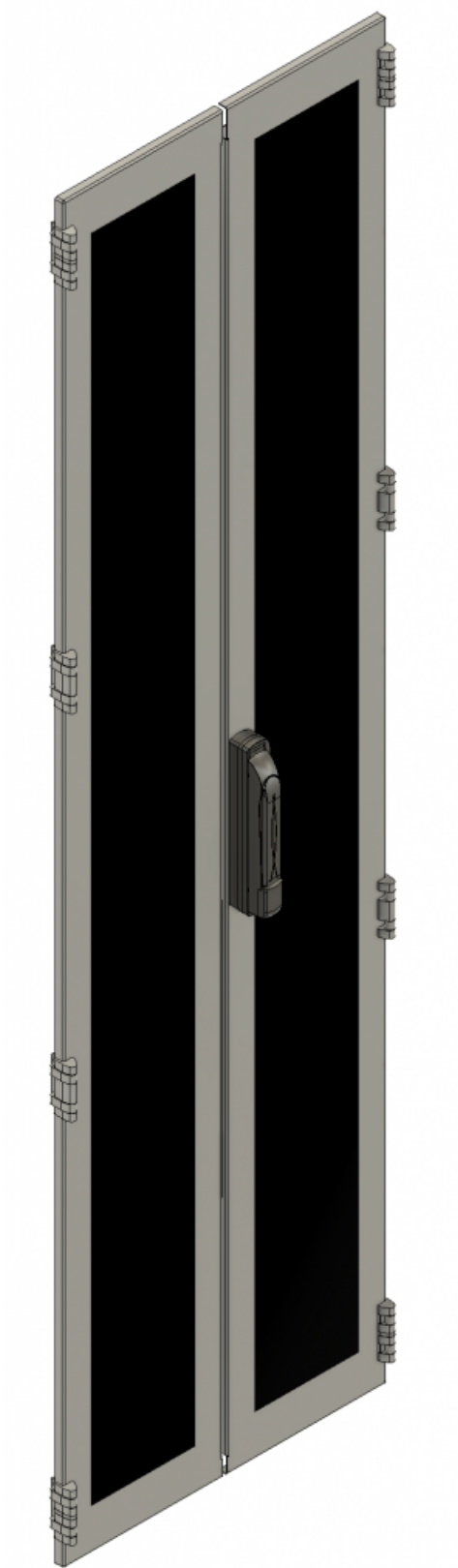


Right-hinged door

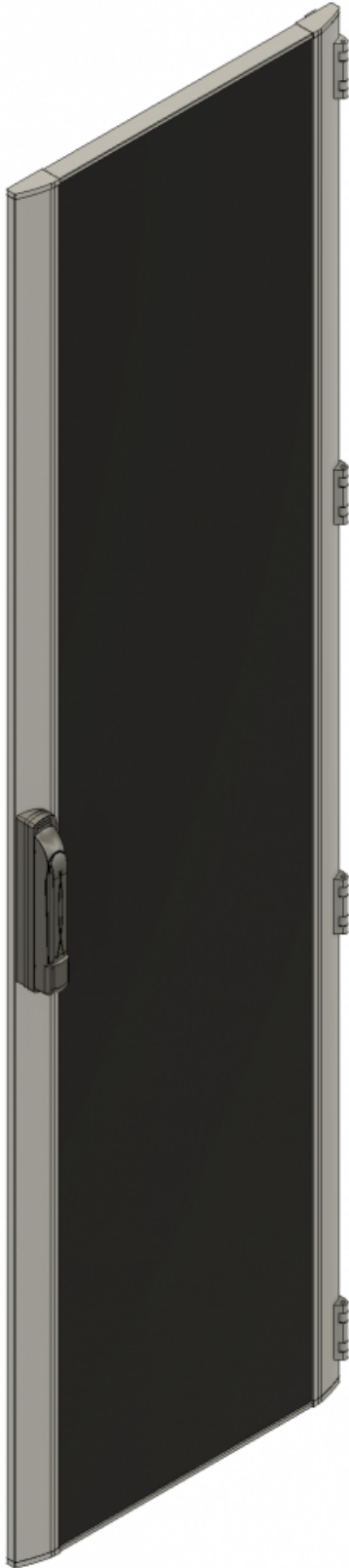


A distinction must also be made between doors with and without a design bevel. The design bevel determines the order number of the adapter. Adapters with the order number **KXC-RA4-RITTAL-TS8** are required for doors without a design bevel and adapters with the order number **KXC-RA4-RITTAL-TS8-DSG** are required for doors with a design bevel.

Door without design bevel

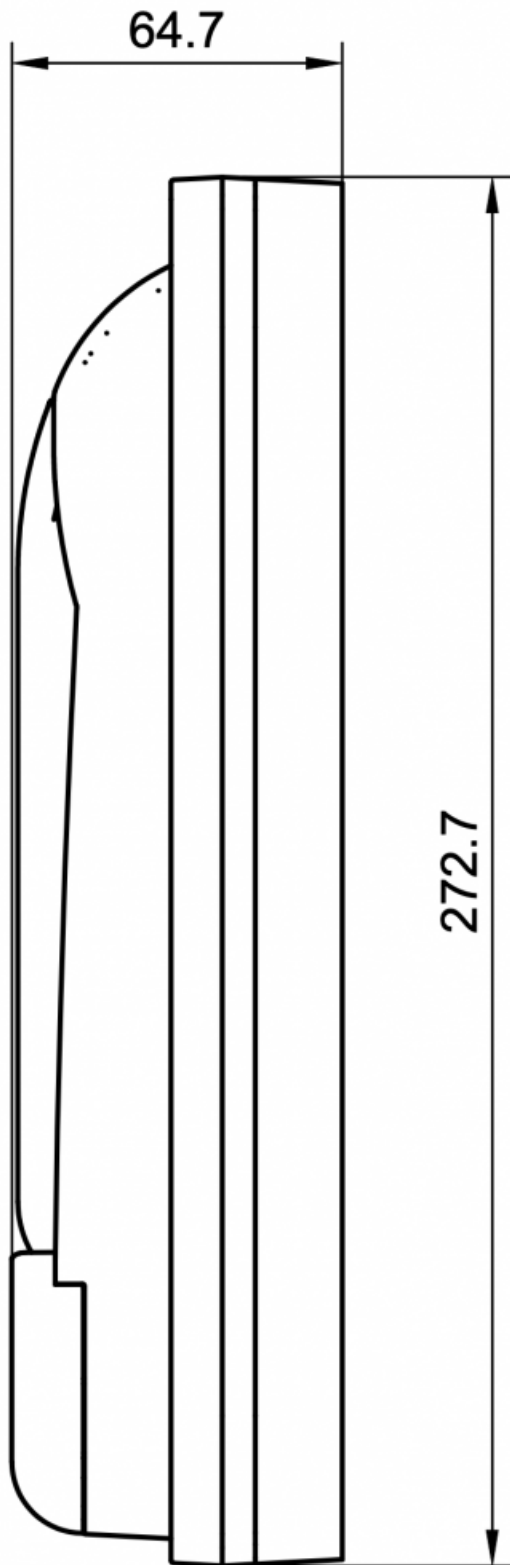


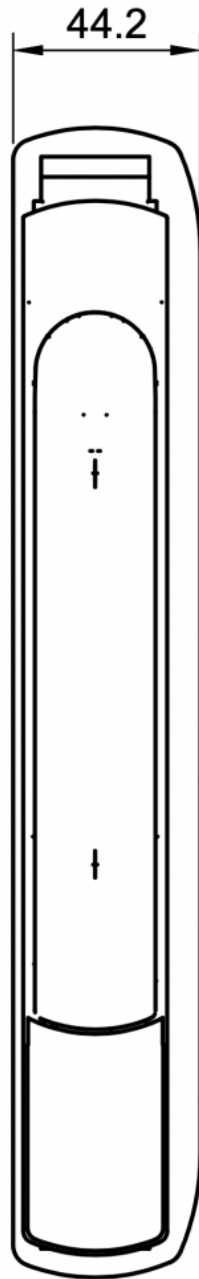
Door with design bevel



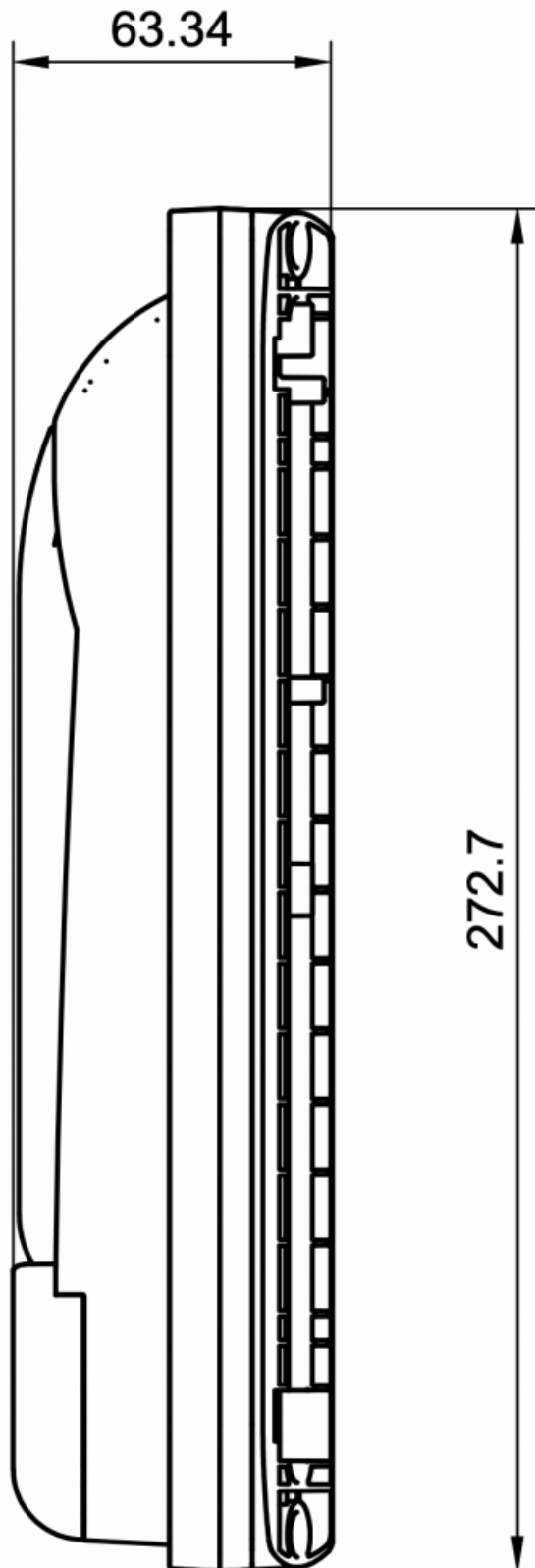
Dimensions

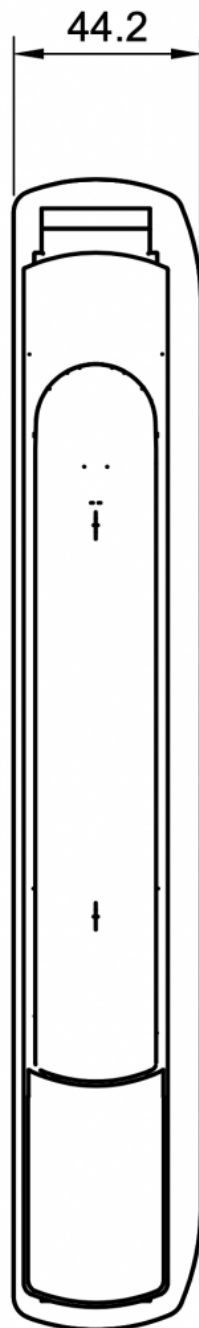
KXC-RA4-RITTAL-TS8





KXC-RA4-RITTAL-TS8-DSG

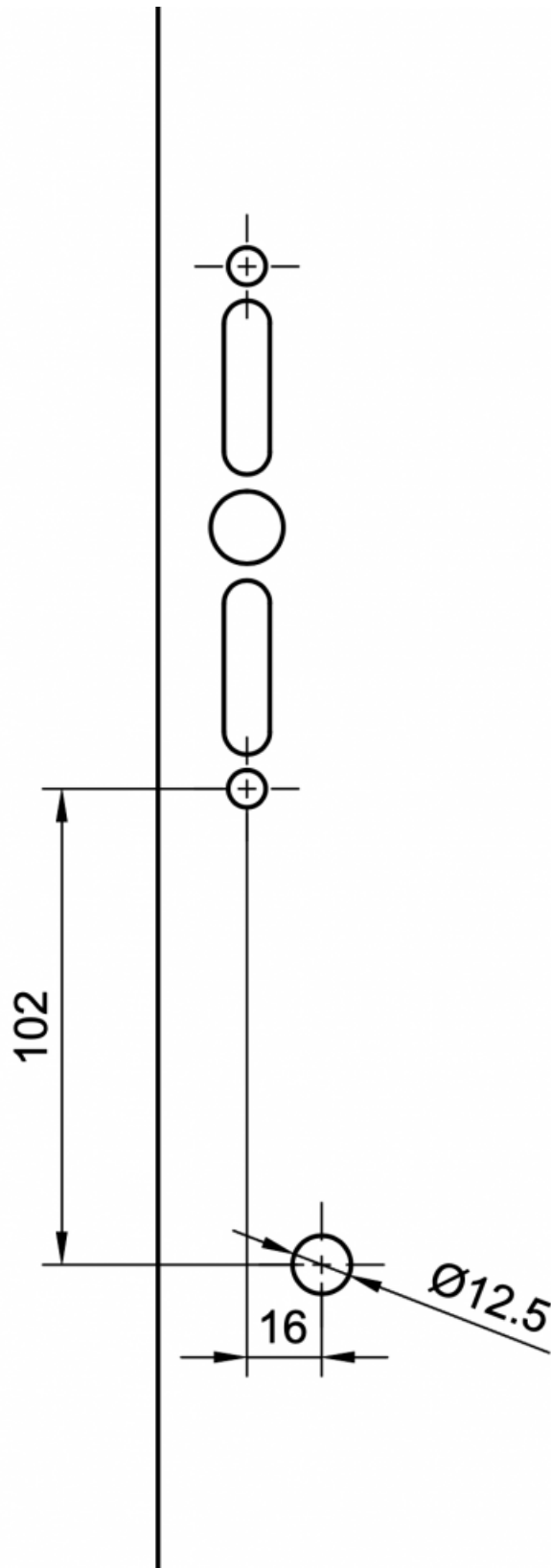


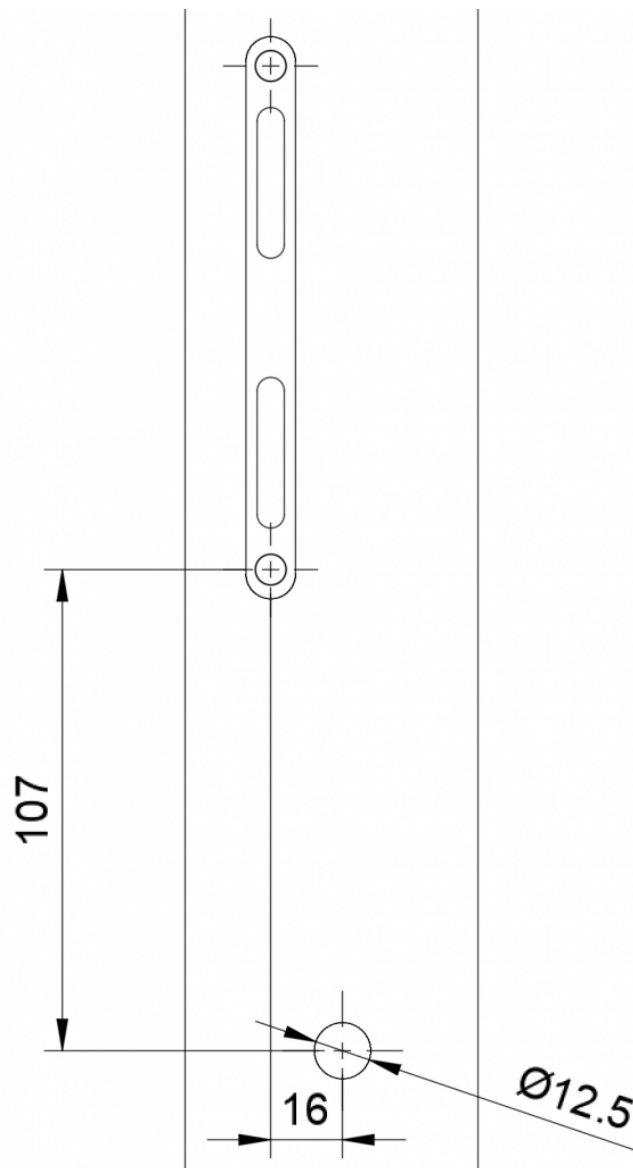


Installation

With adapter KXC-RA4-RITTAL-TS8

Hole pattern KXC-RA4-RITTAL-TS8-DSG





The hole pattern above is required to install the DoorLock-RA4 on a right-hinged door. A hole of at least 12.5 mm must be drilled in the door so that the connection cable can be fed through the door. If the door is hinged on the left, the position of the hole must be mirrored.

The position of the hole can be marked using a drilling template. The template is available on request.

Assembly steps



1. Drill hole for cable entry
2. Feed the connection cable through the hole
3. Place spacer sleeves on the adapter driver (only for doors without design bevel)
4. Connecting the cable to the DoorLock
5. Attach DoorLock to the door with spacer sleeves
6. Fasten the DoorLock with the two screws supplied (tightening torque 1.8 Nm)

First connect the DoorLock with the slimline patch cable before attaching it to the rack. Only install the DoorLock when it is open!

Tools required

1. Metal drill bit with a diameter of at least 12.5 mm
2. TORX® screwdriver with drive size 25