

Locker lock (radio) DoorLock-RA2 - MANUAL



ORDER-CODES:

[KXC-RA2-14](#), [KXC-RA2-23](#)

[DATASHEET KXC-RA2](#)

Overview

The Kentix Door-Lock-RA2 is a battery operated electronic cabinet lock with radio. The cabinet lock is designed for locking and unlocking locks in locker and cabinet doors made of wood, steel and aluminum with thickness up to 20mm. The cabinet lock is designed exclusively for indoor use. RFID transponder carriers with MIFARE®Classic or MIFARE®DESFire® can be used as keys.

The electronic cabinet lock is networked by radio with an AccessManager radio. Up to 16

DoorLock radio components can be taught into one AccessManager radio. The configuration is done via the integrated web server of the main device (operating mode: Main-Device).

The DoorLock-RA2 is available in two wireless technologies, namely **BLE 2.4GHz** and **868MHz**. DoorLock components with different radio frequencies cannot be operated on one AccessManager. AccessManagers with different radio technologies can be networked together.

When selecting radio components, make sure you use the right radio technology. For new projects, we recommend **BLE 2.4GHz** as the radio technology.

Safety instructions

Installation

Installation and commissioning may only be carried out by trained specialist personnel in accordance with the instructions.

No modifications of any kind, other than those described in an appropriate manual, are permitted to Kentix GmbH products.

Certain levels of protection must be provided when installing Kentix equipment.

Observe the relevant regulations for installations in the respective environment.

Only operate the products within the defined temperature range.

The instructions should be passed on to the user by the person carrying out the installation.

Kentix accepts no liability for damage to the equipment or components resulting from incorrect installation. No liability is accepted for incorrectly programmed units.

Kentix shall not be liable in the event of malfunctions, damage to property or other damage.

Use of the products, transport and storage

Protect the device during transport, storage and operation from

Protect moisture, dirt and damage.

Battery powered products

Do not use products in potentially explosive atmospheres.

Only operate the products within the defined temperature range.

Installation and battery replacement may only be carried out by trained personnel in accordance with the instructions.

Do not charge, short circuit, open or heat batteries.

When inserting the batteries, pay attention to the correct polarity.

The devices must always be operated with the batteries intended for the product.

When changing batteries, always replace all batteries.

Dispose of old or used batteries properly.

Keep batteries out of the reach of children.

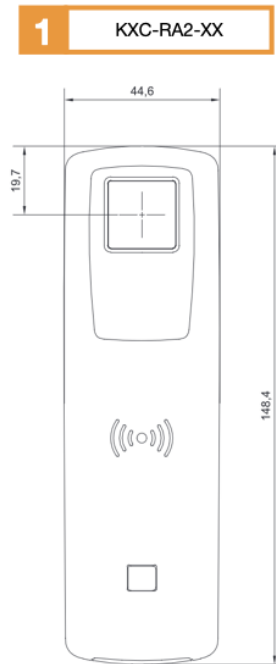
Maintenance

Kentix devices must be checked for functionality as part of annual maintenance.

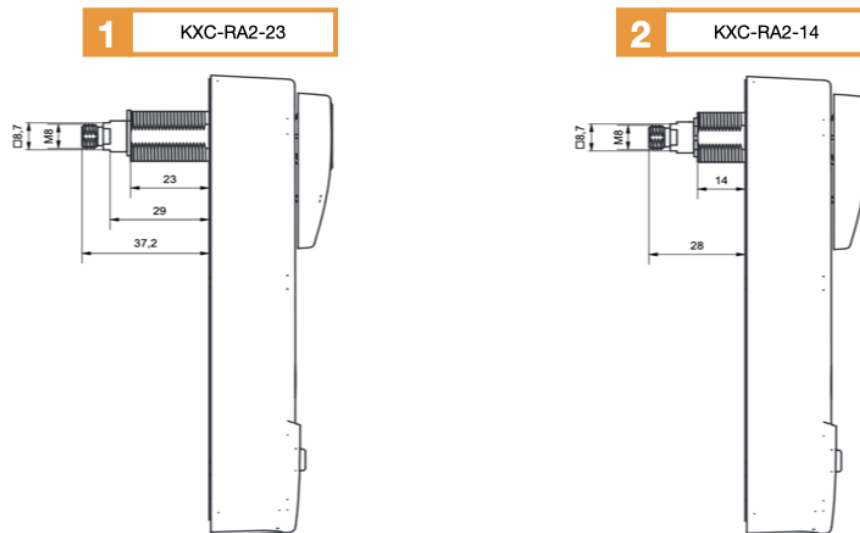
Disposal

Electrical appliances and batteries must be disposed of separately from household waste.

Dimensions

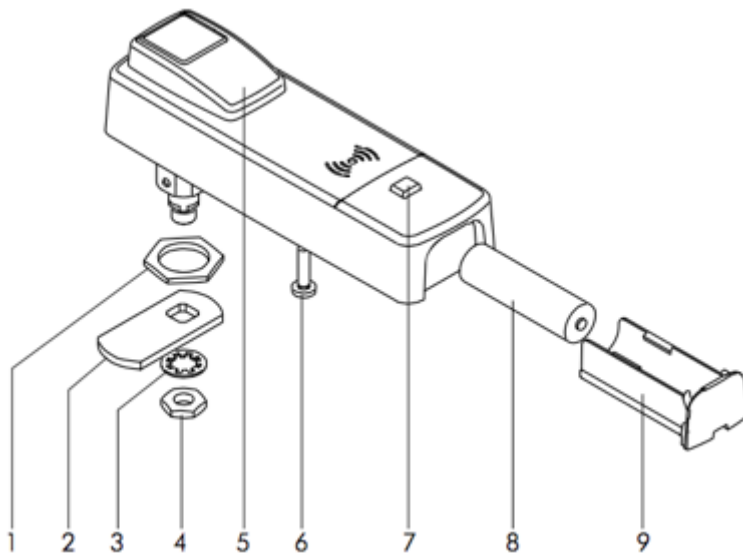


1. DoorLock-RA2-XX



1. DoorLock-RA2-23 with a 23 mm long locking bolt
2. DoorLock-RA2-14 with a 14 mm long locking bolt

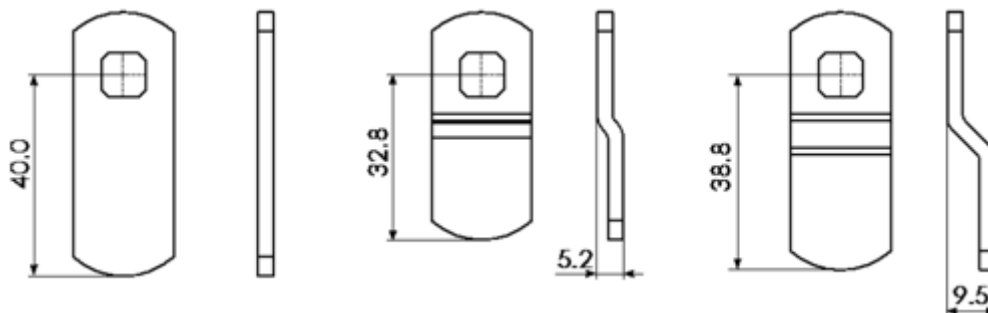
Components



1. Fastening nut for the cabinet lock on the door
2. Closing lever (different variants available, included in delivery)
3. Lock washer
4. Fastening nut for the closing lever
5. Operating lever
6. Fixing screw
7. Button for manual wake up
8. Battery
9. Battery compartment

Closing lever

For the different types of cabinets, the lock comes with 3 different locking levers. Here, after installation in the door and fixing the hardware to the door frame, it is necessary to check which of the variants fits best.



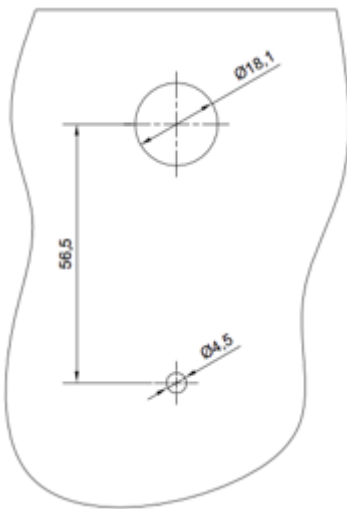
DoorLock RA locking lever

Installation

Drilling

To fix the cabinet lock, holes are required in the door according to the following drawing.

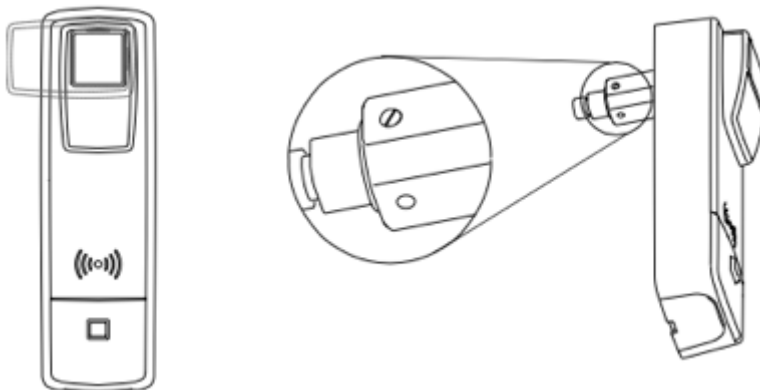
Depending on the type of cabinet, drilling on the door is not required. For cabinets where an opening already exists after removal of the existing closing lever, additional covers are available to cover the opening.



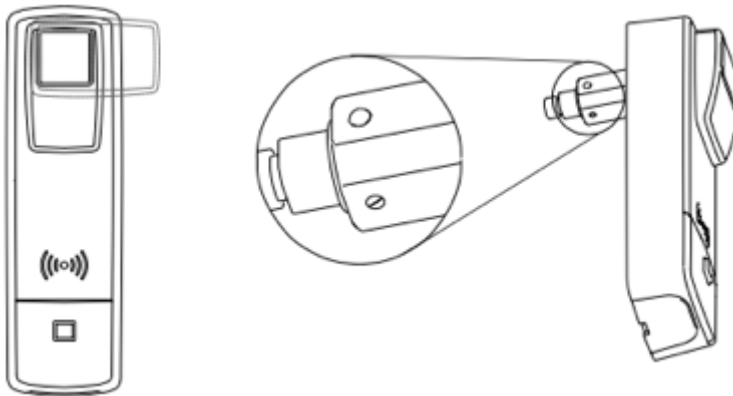
DoorLock RA Drilling dimensions

Setting the opening direction

The direction of rotation of the actuating lever is determined by the position of the small screw on the fastening thread.



Screw screwed in sideways. Opening by turning the operating lever to the left.



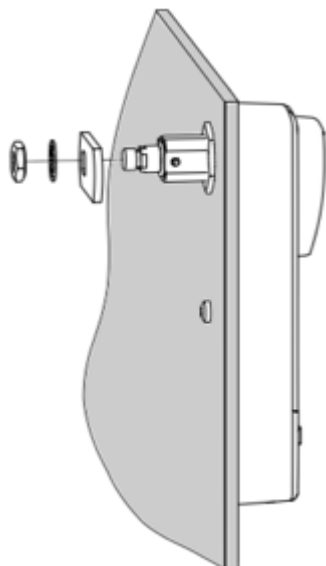
Screw in from below. Opening by turning the operating lever to the right.

Mounting

Push the cabinet lock through the hole in the door and fix it in place using the fastening nut and fastening screw.

Then fix the closing lever and the lock washer with the fastening nut.

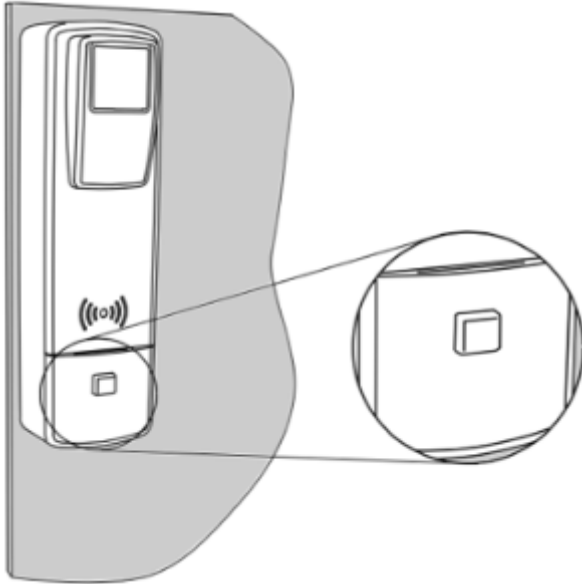
If necessary, the profiles must be placed underneath before the fastening nut and fastening screw are screwed in.



Wake up the online cabinet lock

Unlike the other smart access devices, the cabinet lock must be woken up from sleep mode by a button. This is required during initial setup as well as during normal operation.

To wake up, press the button until the LED lights up. Only then hold the RFID token in front of the reading content.



Mastercard set



Kentix master cards

The master card set is used to prepare the DoorLock devices with radio for operation. All IP wall readers that are connected via the SmartRelay are excluded. With the service key card, the radio components such as knobs, door handles or wall readers are integrated into the radio network and the communication is encrypted. Only one master card set is required per system or installation. We recommend using an extra set of master cards for each project.

Keep the system card with the system key imprinted on it in a safe place, ideally in a safe. This system card is necessary for reordering in case of loss or defect of a service card. In case of complete loss of the system card and service card, only a very costly recovery at the factory is possible!

Commissioning

We recommend commissioning before assembly.

Prepare device

Slide the enclosed battery (type AA Lithium 3.6V (ER14505)) into the handle or insert it into the battery holder.

Set up service key

1. Hold the service key (**yellow**) for approx. 1 second in front of the pusher to activate it.
2. Hold the service key again just in front of the pusher. The service key is now programmed.

User and access management

The administration of users and access rights is done on the main device of the installation with KentixOne.

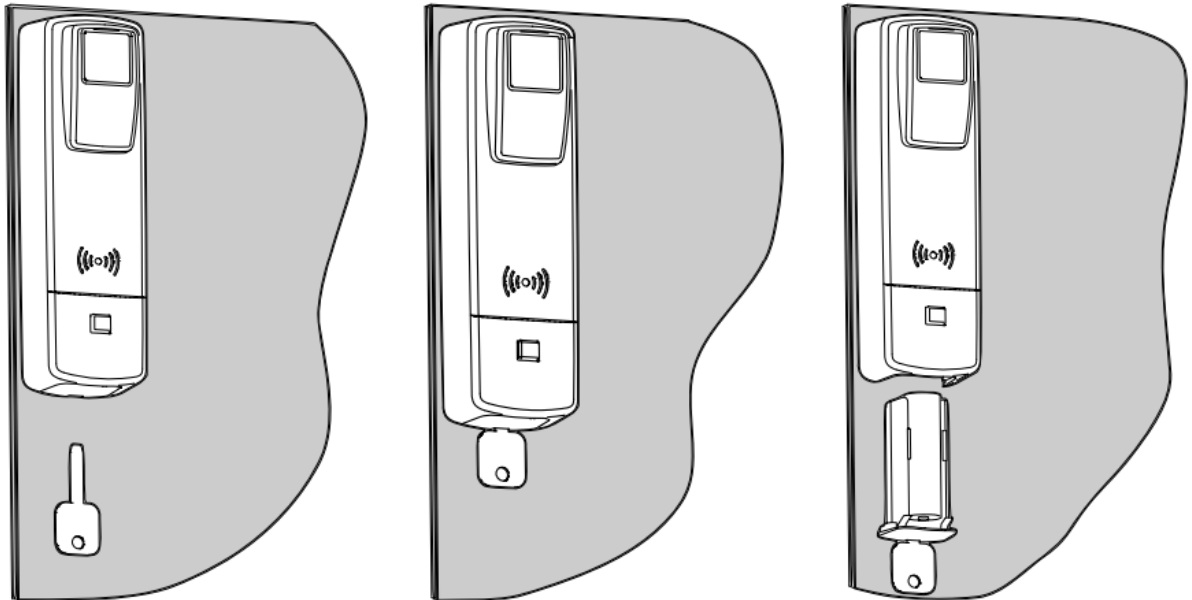
All information about the software is available in the [KentixONE](#) section.

Open battery compartment

To open the battery compartment, a special key is required which is available separately.

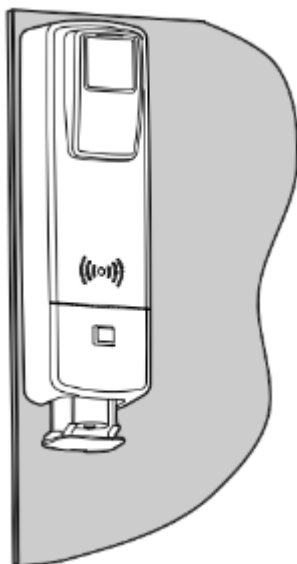
Battery change

Open the battery compartment of the cabinet lock with the battery replacement tool. To do this, press the tool into the opening on the underside of the cabinet lock until the battery compartment can be removed.



Remove the used battery and insert a new one, paying attention to the polarity.

Push the battery compartment back in until it clicks into place.



Signaling

Function	Signal and explanation (868MHz)	Signal and explanation (BLE 2.4GHz)
----------	---------------------------------	-------------------------------------

First booking after commissioning	long tone and orange LED	long tone and orange LED
Programming mode start	Long tone followed by a short tone	Long tone followed by a short tone
Programming mode	LEDs flash green	LEDs flash blue
Programming mode end	short tone followed by a long tone	short tone followed by a long tone
Key taught	2 short tones, LEDs light up green	2 short tones, LEDs light up blue
Key authorized	LEDs light green	LEDs light blue
Key not authorized	long low tone, LEDs light up red	long low tone, LEDs light up red
Emergency access	no sounds, only the green LED flashes	no sounds, only the blue LED flashes
Battery warning phase 1	5 short tones, simultaneously LEDs flash 5x red	5 short tones, simultaneously LEDs flash 5x red
Battery warning phase 2	5 short tones, at the same time LEDs flash 5x red, then 5s delay of engagement, at the same time LEDs flash green	5 short tones, at the same time LEDs flash 5x red, then 5s delay of engagement, at the same time LEDs flash blue
Battery warning phase 3	5 short beeps, simultaneously LEDs flash 5x red, no engagement, but battery change position	5 short beeps, simultaneously LEDs flash 5x red, no engagement, but battery change position
Coupling error	5 short tones, 2 long tones. Contact support at support@kentix.com	5 short tones, 2 long tones. Contact support at support@kentix.com

Table signaling