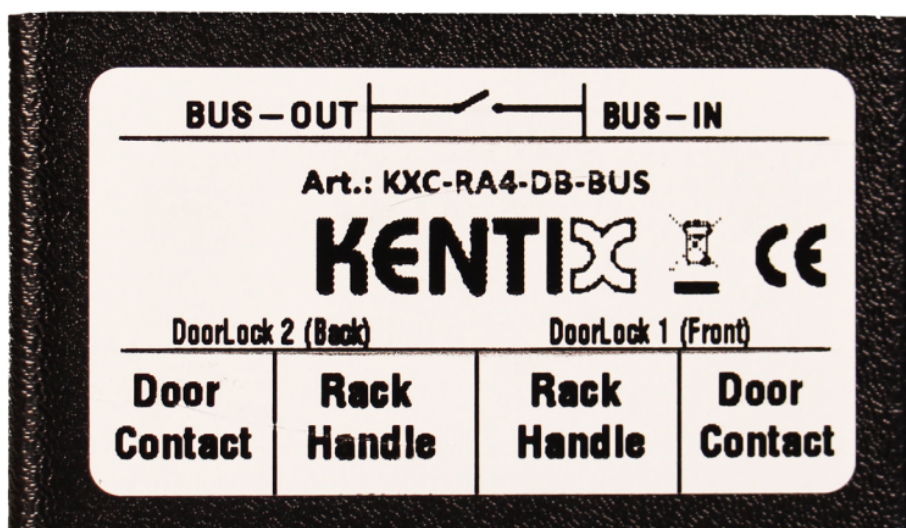


Distribution box for DoorLock-RA4 - MANUAL



ORDER-CODES:

KXC-RA4-DB-BUS, KXC-RA4-DB-BUS-SET

[DATASHEET KXC-RA4](#)

Overview

The DoorLock-RA4-DB-BUS distribution box is the central connection unit for two rack levers (KXC-RA4-IPx) and two door contacts (KDC1-W) in the rack. The distribution box also serves as a bus connection from rack to rack for up to 8 racks or 16 rack levers. The distribution box is mounted in the rack itself, and all components are plugged in via RJ45 sockets without being clamped.

1. Connection of two door contacts
2. Connection of two DoorLock-RA4
3. Connection of further distribution boxes

The distributor box is either connected directly to the DoorLock-Ra4 remote station (AccessManager or SmartPDU) or to another distributor box.

Safety instructions

Installation

Installation and commissioning may only be carried out by trained specialist personnel in accordance with the instructions.

No modifications of any kind may be made to Kentix GmbH products, with the exception of those described in the relevant instructions.

When installing Kentix devices, certain degrees of protection must be guaranteed.

Observe the relevant regulations for installations in the respective environment.

Only operate the products within the defined temperature range.

The instructions should be passed on to the user by the person carrying out the installation.

Kentix accepts no liability for damage to the devices or components caused by incorrect installation. Kentix accepts no liability for incorrectly programmed units.

Kentix accepts no liability for faults, material damage or other damage.

Use of the products, transport and storage

Protect the device from

moisture, dirt and damage during transportation, storage and operation.

Battery powered products

Do not use the products in potentially explosive atmospheres.

Only operate the products within the defined temperature range.

Installation and battery replacement may only be carried out by trained specialist personnel in accordance with the instructions.

Do not charge, short-circuit, open or heat batteries.

Observe the correct polarity when inserting the batteries.

The devices must always be operated with the batteries intended for the product.

When changing the batteries, always replace all batteries.

Dispose of old or used batteries properly.

Keep batteries out of the reach of children.

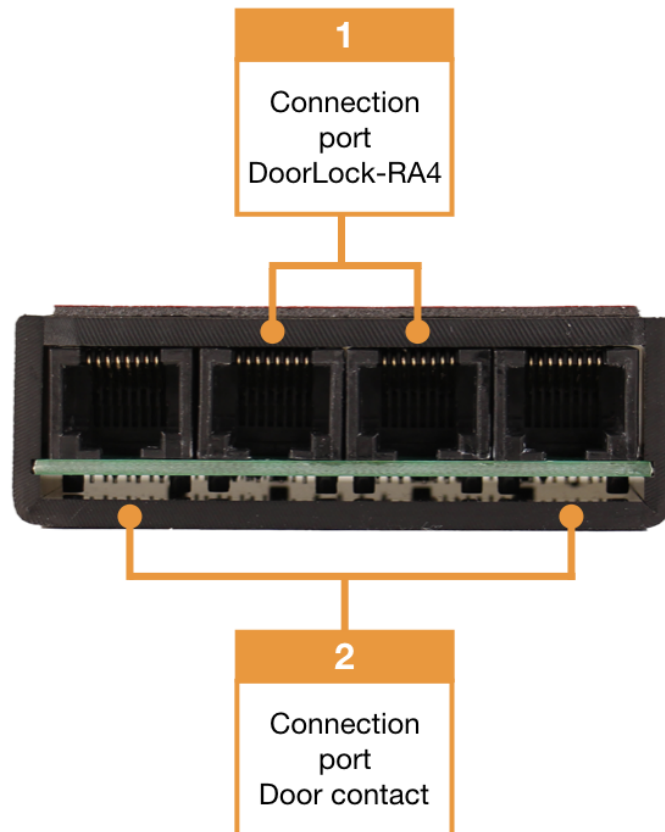
Maintenance

Kentix devices must be checked for functionality as part of annual maintenance.

Disposal

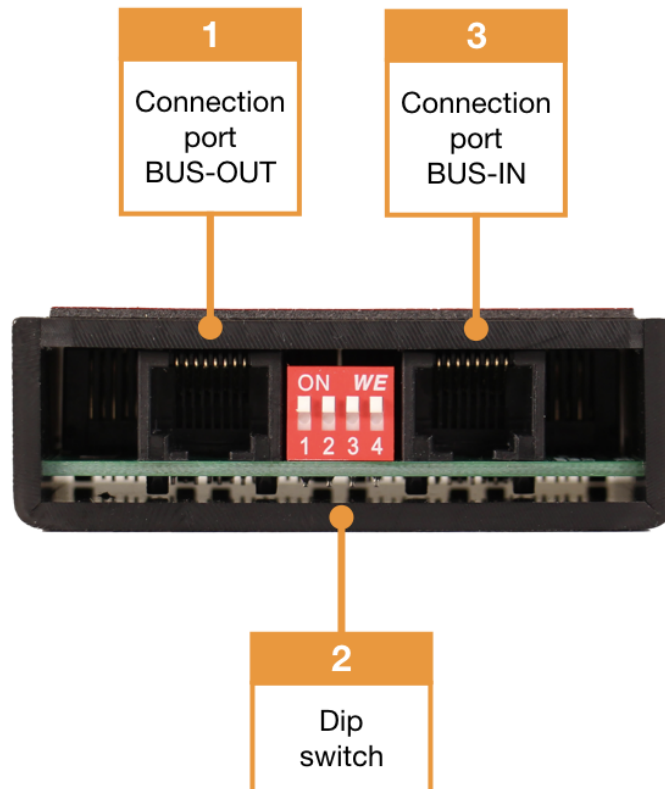
Electrical appliances and batteries must be disposed of separately from household waste.

Connections



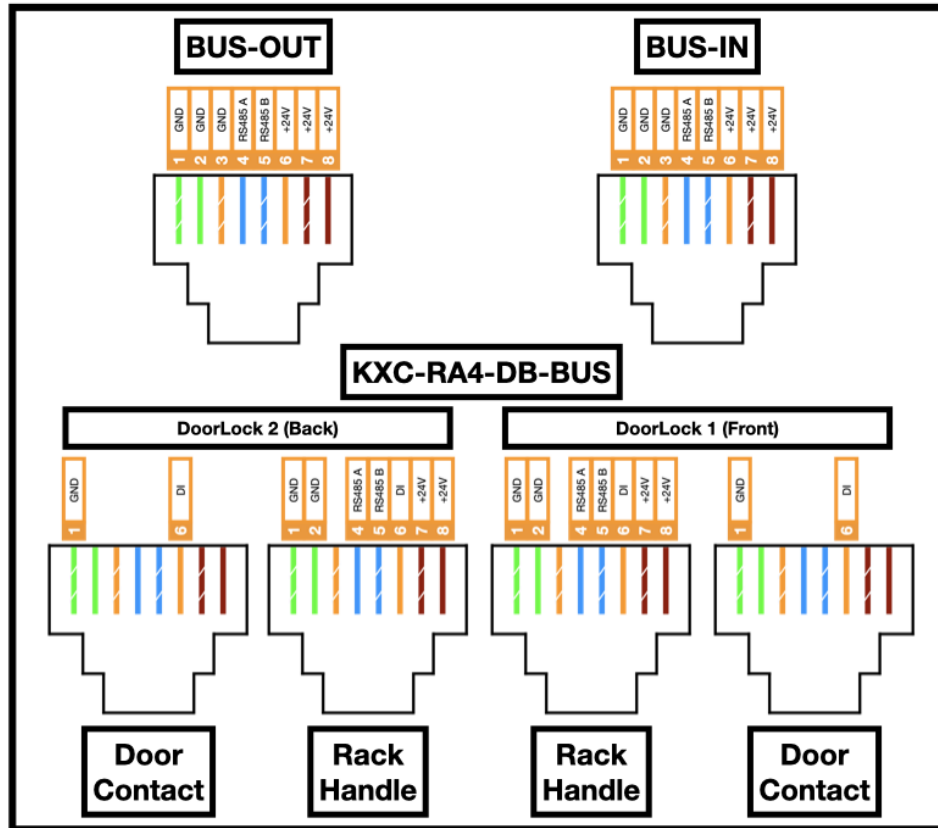
1. Connection for DoorLock-RA4
2. Connection for door contact KDC1-W

The door contact is evaluated on the DoorLock. It is therefore essential that one DoorLock per door contact is also connected to the distributor box.

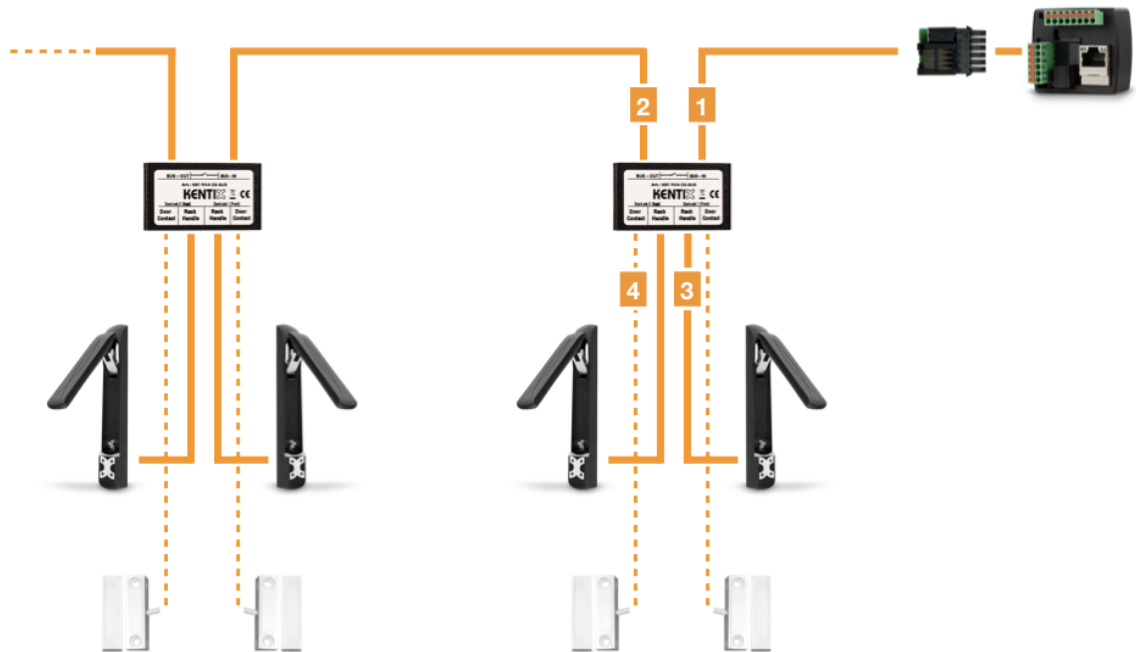


1. Connection for downstream distribution box
2. Dip switch (all switches must be set to ON)
3. Connection to remote station or previous distribution box

Assignment of the connections



Connection example



1. Connection to remote station or previous distribution box
2. Connection for downstream distribution box
3. DoorLock-RA4
4. Door contact KDC1-W