

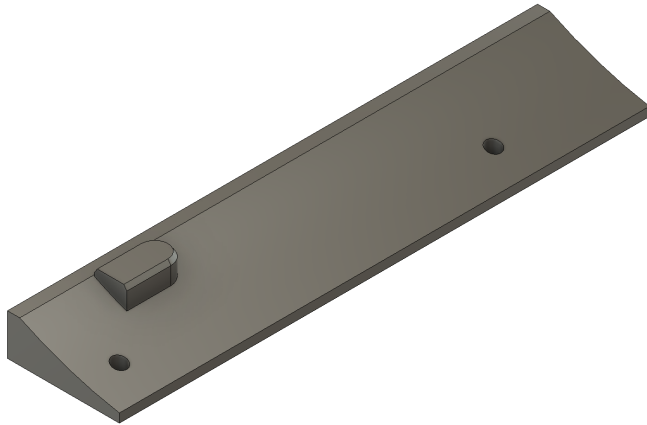
# Wie verwende ich die Montageschablone des DoorLock-RA4 an einem Rittal-Schrank?

In order for the Kentix DoorLock-RA4 to operate correctly, holes must be drilled in the front and rear doors of the Rittal cabinet. These holes are necessary so that a slimline patch cable can be passed through and the DoorLock-RA4 can be connected.

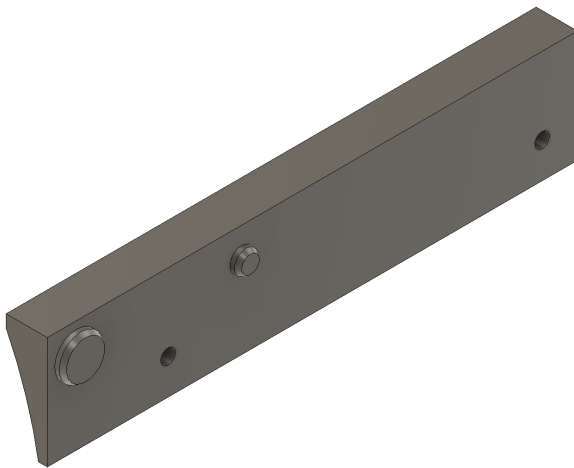


For the head of the slimline patch cable to fit through the hole, the hole must have a diameter of **12.5 mm!**

## Design-Door



## Flat-Door

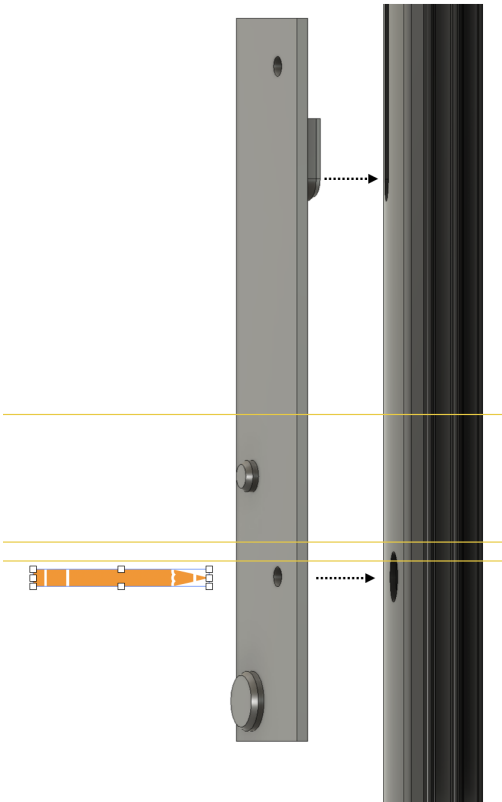


## How to use the template to drill the right holes?

### Design-Door

At the front of the rack there is a door with a rounded frame. The rounded surface of the template must rest here. The elongated pin on this rounded surface must be placed at the bottom of the milled groove of the rack door.

As soon as the template is straight, you can pre-drill through the **BOTTOM** hole with a max. **5 mm** drill bit or mark the area with a pencil. Then re-drill with a **12.5 mm** drill bit.



**Flat-Door:**

There is a flattened door at the back of the rack. The flat surface of the template must rest here.

The larger round pin must be inserted into the larger hole in the door. The smaller, round pin must be inserted into the **BOTTOM** small round hole in the door.

Once the template is straight, pre-drill through the **BOTTOM** hole with a max. **5 mm** drill or mark the area with a pencil. Then re-drill with a **12.5 mm** drill bit.

