

# Power-Adapter (KIO3) mit digitalen Ein-/Ausgangsklemmen

Art.-No.: KIO3 • Techn. Drawing: [Power-Adapter KIO3](#)

The Kentix I/O Power-Adapter KIO3 is used to extend your Kentix solution with the following functions:

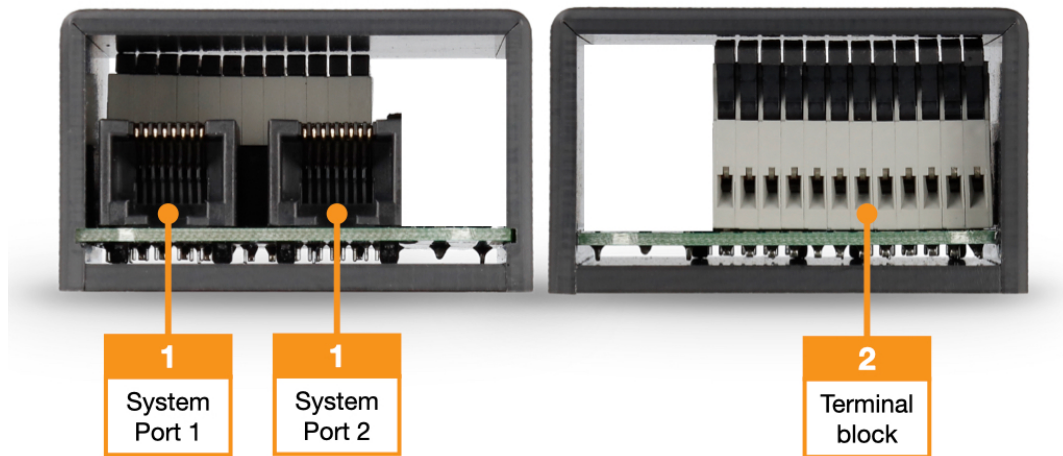
- Connection of up to two external alarms via **potential-free** contacts for a MultiSensor
- Control or switching of up to 2 external devices via relay from one MultiSensor

The adapter is connected directly to the Kentix system socket (1). The power supply for the relays is generated via the system socket and **does not** require an external power source. The cable length between MultiSensor and KIO3 adapter should not exceed 10 meters. The relays (3) are equipped with changeover contacts and can be loaded with up to 60VDC/3A.

## KIO3 Connections



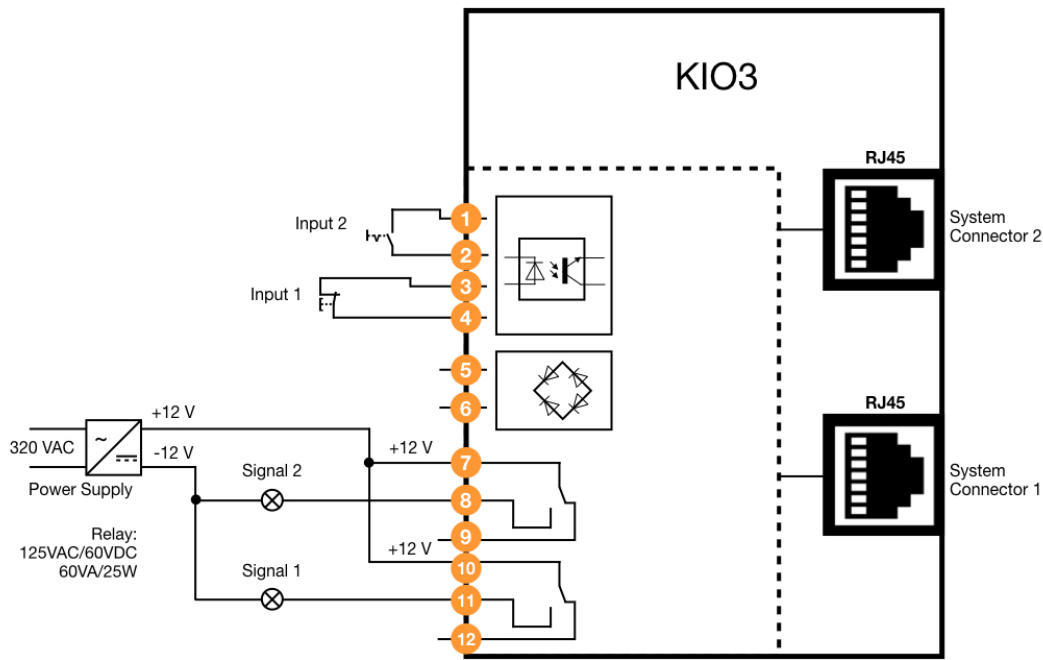
External devices, which are triggered via the relays of the KIO3 at an assigned event, have to be supplied with power **independently!** E.g. if a lamp is to be switched in case of an alarm, the power supply to the lamp must be guaranteed. The relay only opens or closes the circuit at the respective event!



1. Kentix system socket for connection to device system socket of e.g. AlarmManager, MultiSensor-LAN or AccessManager. (system port1)
2. Kentix system socket for connection to device system socket of e.g., AlarmManager, MultiSensor-LAN or AccessManager. (system port2)  
Switching block for external wiring, see allocation and example wiring diagrams.

## Circuit diagram with external alarms

⚠ On all Kentix devices, the digital inputs must always be connected potential-free. This means that no external voltage must be applied. The wiring is typically done passively by normally closed or normally open contacts without voltage potential. The contact logic can be freely set in the software. The application of an external voltage can lead to a device defect.



1. Terminal: Digital input 2 for potential-free wiring
2. Terminal: Digital input 2 for potential-free wiring
3. Terminal: Digital input 1 for potential-free wiring
4. Terminal: Digital input 1 for potential-free wiring
5. Terminal: External power supply 24VDC **Not required for PoE-enabled devices!**
6. Terminal: External power supply 24VDC **Not required for PoE-enabled devices!**
7. Terminal: Relay output 2 COM (Common 24 VDC/1A), changeover contact
8. Terminal: Relay output 2 NC (Normally Closed)
9. Terminal: Relay output 2 NO (Normally Open)
10. Terminal: Relay output 1 COM (Common 24 VDC/1A), changeover contact
11. Terminal: Relay output 1 NC (Normally Closed)
12. Terminal: Relay output 1 NO (Normally Open)