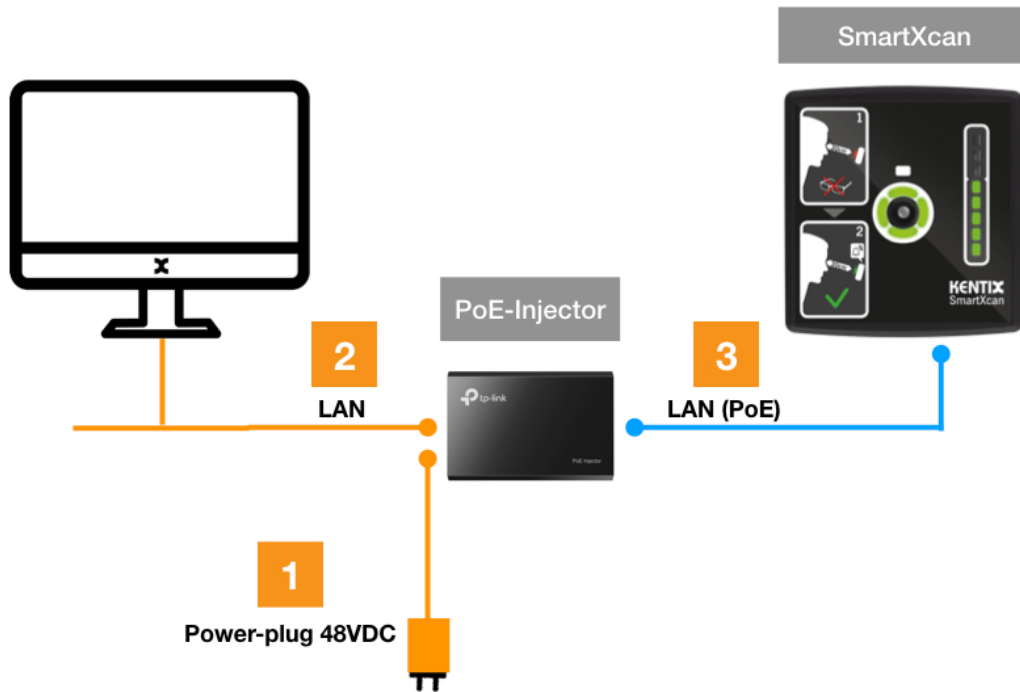


Inbetriebnahme Stand-Alone Betrieb

In stand-alone operation, the calibrated device is supplied with the required voltage via the PoE interface. If no free PoE interface is available, the SmartXcan can be connected using a PoE injector and a power supply unit. For calibration, the SmartXcan must be connected to a PC. Afterwards, the device can be put into measuring operation.

PoE-Injector



1. Power supply unit (100-230VAC/24VDC)
2. LAN connection (IN): Connection not capable of PoE
3. LAN-PoE connection (OUT): PoE-capable connection by feeding voltage through PoE injector